






Assembly Instructions

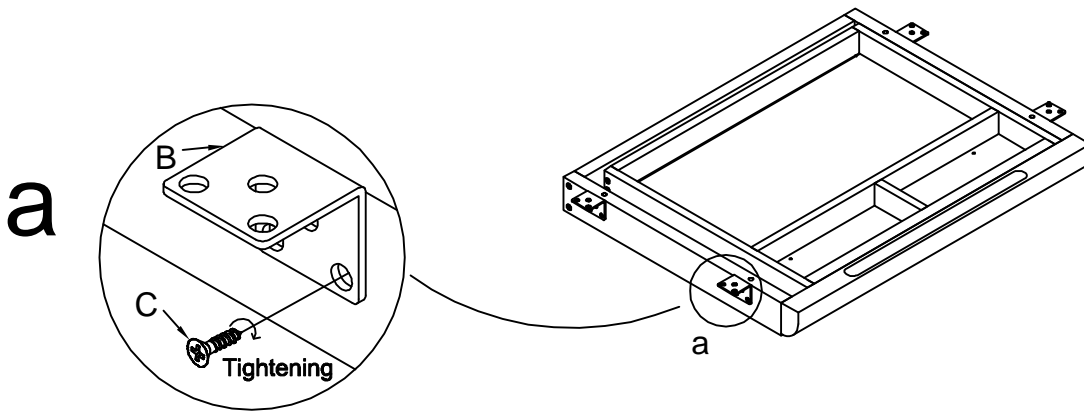
MODEL NO.:MR20CD

CENTER DRAWER

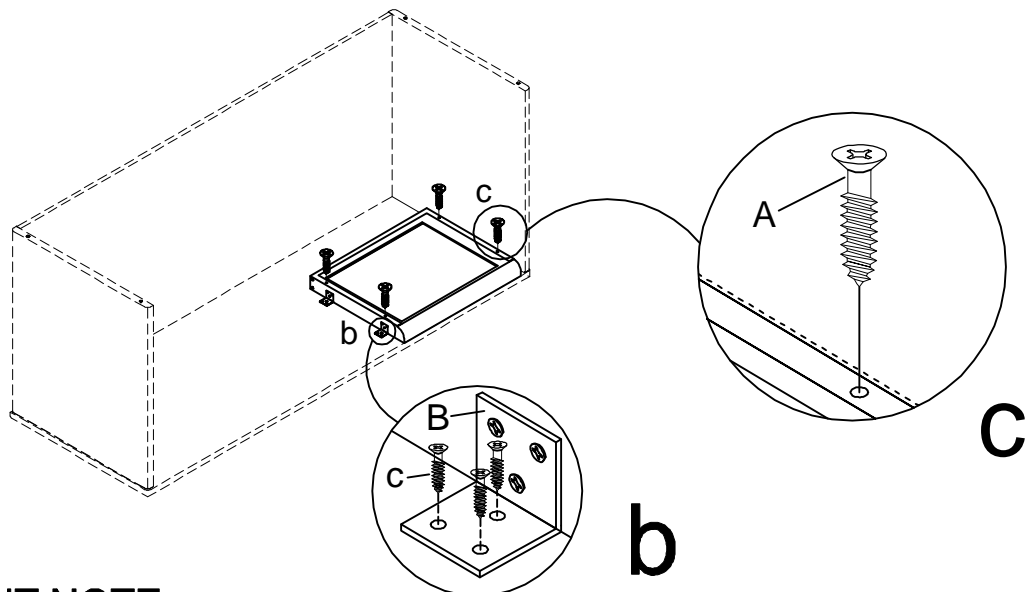
V02/10-12

TUN018SC	L-Bracket	TUN013LB
A  screwØ5*68 4 Pcs+1 Pcs	B  L-Bracket 4 Pcs	C  ScrewØ3.5*16 24 Pcs+2 Pcs

STEP1



STEP2



IMPORTANT NOTE

- .It is advisable to assemble unit on a carpet to avoid scratch.
- .Check to be sure that you have all parts and hardware.
- .Don't tighten all screws/bolts until all completely assembled
- .It is recommended to require 2 persons to complete the assembling.

CARE & CLEANING

Wood Veneer Finishes:Following the direction of the grain ,wipe with a soft damp cloth ,then a soft dry cloth.For heavier soils,try a mild soap solution(do not use spray polishes,solvents or products containing ammonia),then repeat the above steps.