





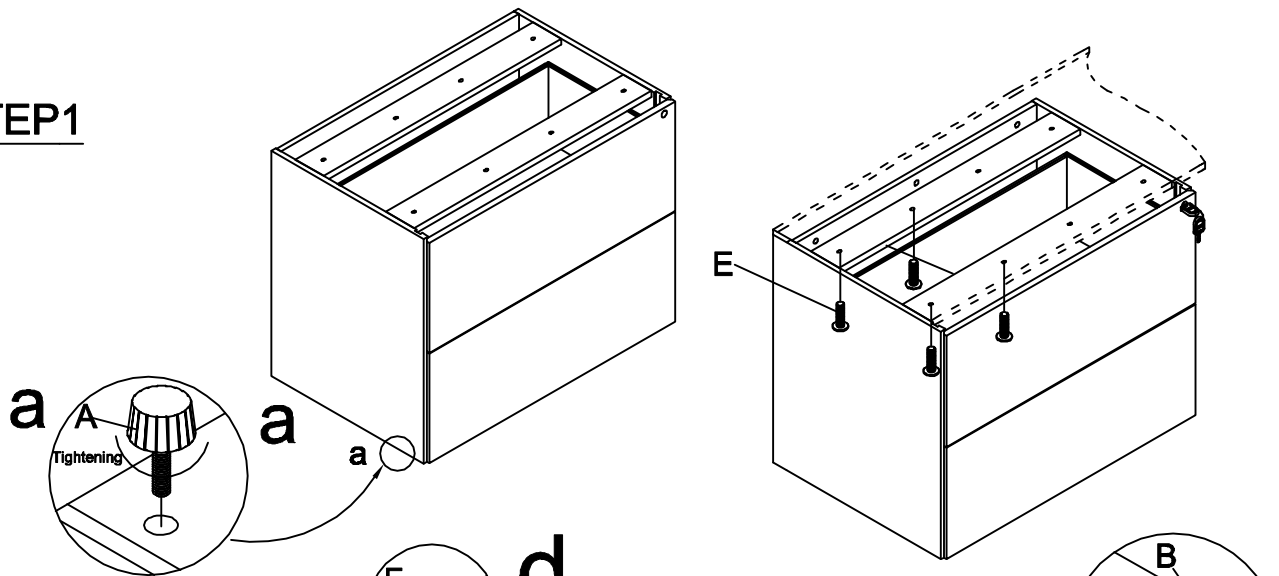


Assembly Instructions
MODEL NO.:MR3522CLF
CREDENZA LATERAL FILE

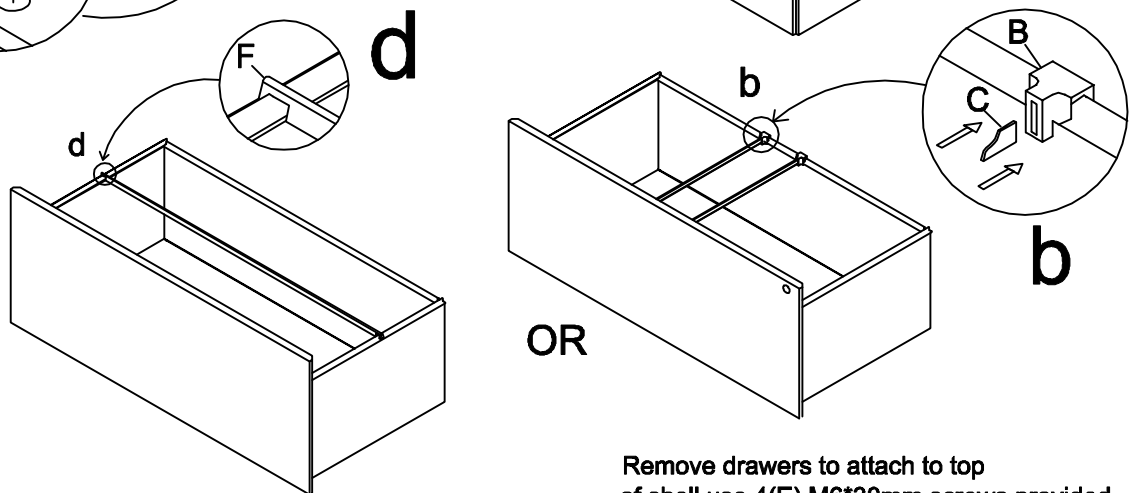
V02/10-12

GLIDE	TUNOO1FC	TUNOO2AB	KEYS	TUN027SC	TUN002AB
A  Glide M6*25 4 Pcs	B  File Clip 8 Pcs	C  366*11.5*2.5mm Aluminum Bar 4 Pcs	D  Keys 1 Set	E  Screw M6*30MM 4 Pcs+1 Pcs	F  815mm File Hanging Bar 2 Pcs

STEP1



STEP2



Remove drawers to attach to top of shell use 4(E) M6*30mm screws provided

IMPORTANT NOTE

- .It is advisable to assemble unit on a carpet to avoid scratch.
- .Check to be sure that you have all parts and hardware.
- .Don't tighten all screws/bolts until all completely assembled
- .It is recommended to require 2 persons to complete the assembling.

CARE&CLEANING

Wood Veneer Finishes: Following the direction of the grain,wipe with a soft damp cloth, then a soft dry cloth. For heavier soils, try a mild soap solution (do not use spraypolishes, solvents or products containing ammonia), then repeat the above steps.