











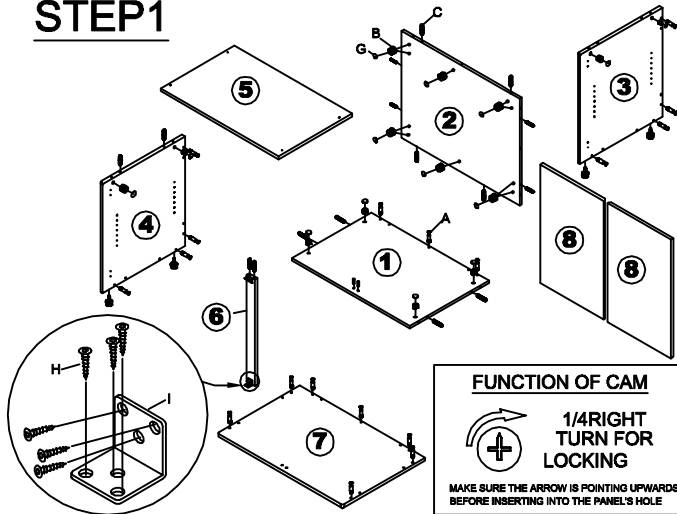


Assembly Instructions
MODEL NO.:MR3624SC
 TWO DOOR STORAGE CABINET

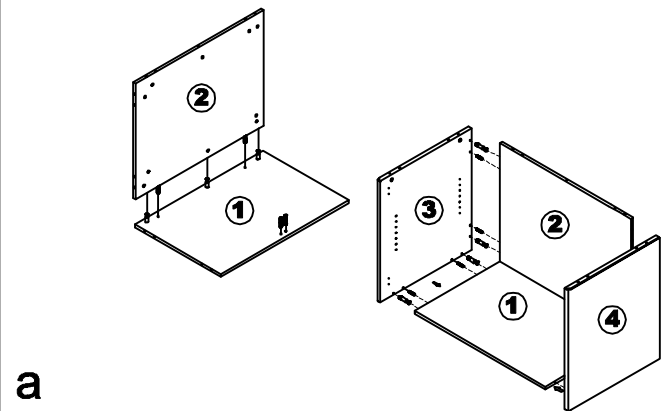
V02/10-12

CONC10	CONC11	DOWEL	GLIAE	SHELF PIN	HINGE	CAM COVER	TUN013SC	L-Bracket	TUN018SC
A  Cam Lock Pin 18 Pcs+2 Pcs	B  Cam Lock 18 Pcs+2 Pcs	C  Dowel 20 Pcs+2 Pcs	D  Glide M8*25mm 4 Pcs	E  Shelf Pin 4 Pcs+2 Pcs	F  Hinge 4 Pcs	G  Cam Lock Sticker 18 Pcs+2 Pcs	H  Screw Ø3.5*16MM 12 Pcs	I  L-Bracket 2 Pcs	J  Screw Ø4*16MM 16 Pcs+2 Pcs

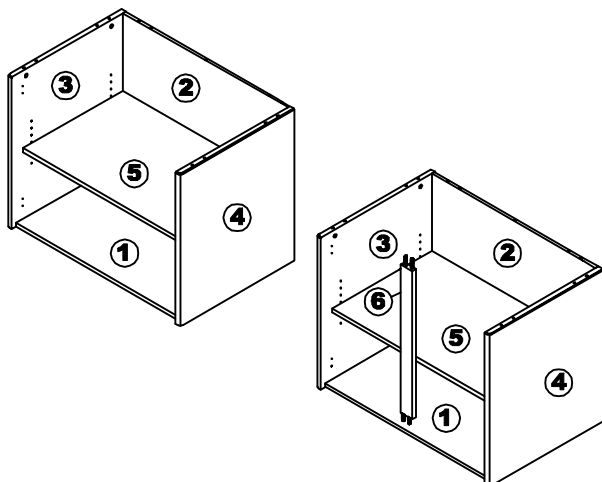
STEP1



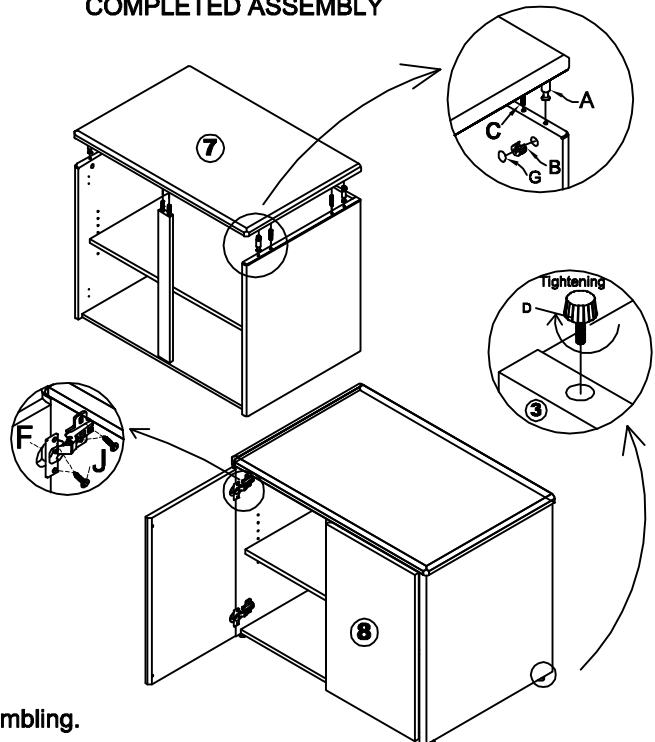
STEP2



STEP3



COMPLETED ASSEMBLY



IMPORTANT NOTE

- .It is advisable to assemble unit on a carpet to avoid scratch.
- .Check to be sure that you have all parts and hardware.
- .Don't tighten all screws/bolts until all completely assembled
- .It is recommended to require 2 persons to complete the assembling.

CARE & CLEANING

Wood Veneer Finishes:Following the direction of the grain ,wipe with a soft damp cloth ,then a soft dry cloth.For heavier soils,try a mild soap solution(do not use spray polishes,solvents or products containing ammonia),then repeat the above steps.