

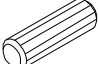





Assembly Instructions

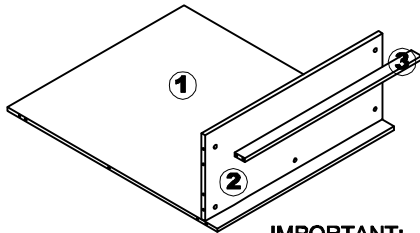
**MODEL NO.:MR42BC**


BOOKCASE

**V02/10-12**

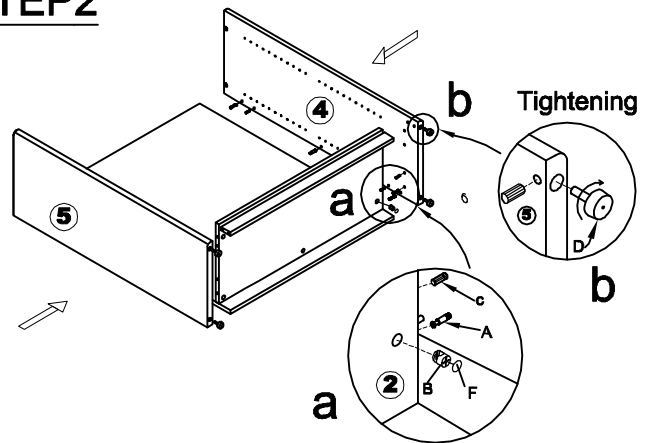
CONC10	CONC11	DOWEL	GLIAE	TUNO2OSD	CAM COVER
A  Cam LOCK Pin 20 Pcs+2 Pcs	B  Cam Lock 20 Pcs+2 Pcs	C  Dowel 21 Pcs+2 Pcs	D  Glide M8*25 4 Pcs	E  Shelf Pin 8 Pcs+2 Pcs	F  CAM COVER 20 Pcs+2 Pcs

**STEP1**

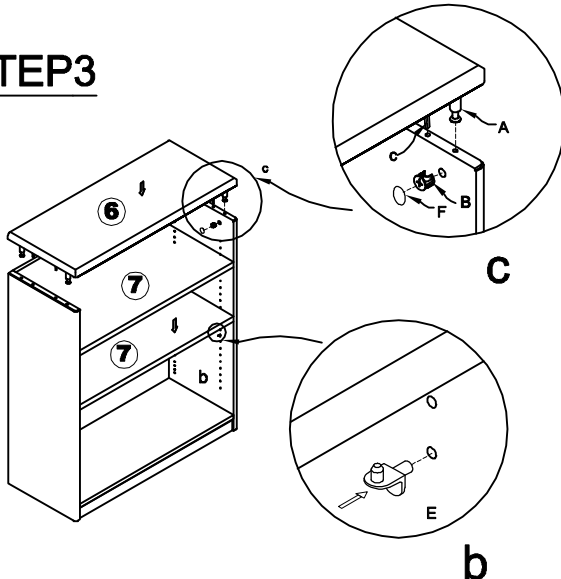


**IMPORTANT:**  
**FUNCTION OF CAM**  
 **1/4 RIGHT TURN FOR LOCKING**  
MAKE SURE THE ARROW IS POINTING UPWARDS BEFORE INSERTING INTO THE PANEL'S HOLE

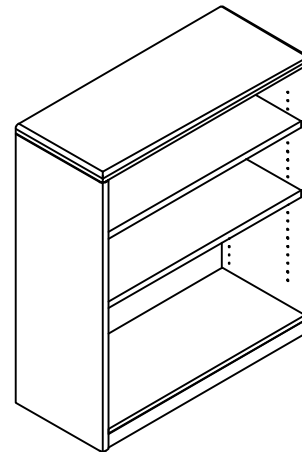
**STEP2**



**STEP3**



**COMPLETED ASSEMBLY**



**IMPORTANT NOTE**

- .It is advisable to assemble unit on a carpet to avoid scratch.
- .Check to be sure that you have all parts and hardware.
- .Don't tighten all screws/bolts until all completely assembled
- .It is recommended to require 2 persons to complete the assembling.

**CARE & CLEANING**

Wood Veneer Finishes:Following the direction of the grain ,wipe with a soft damp cloth ,then a soft dry cloth.For heavier soils,try a mild soap solution(do not use spray polishes,solvents or products containing ammonia),then repeat the above steps.