











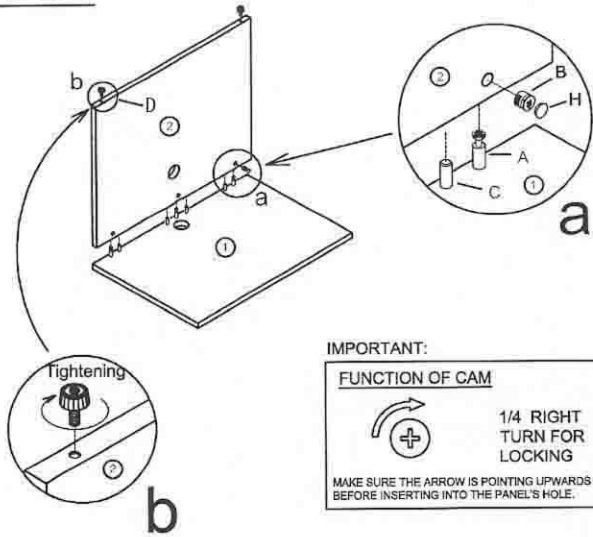


Assembly Instructions
MODEL NO.:
MR4824FB, MR4224FB, MR3624FB
BRIDGE

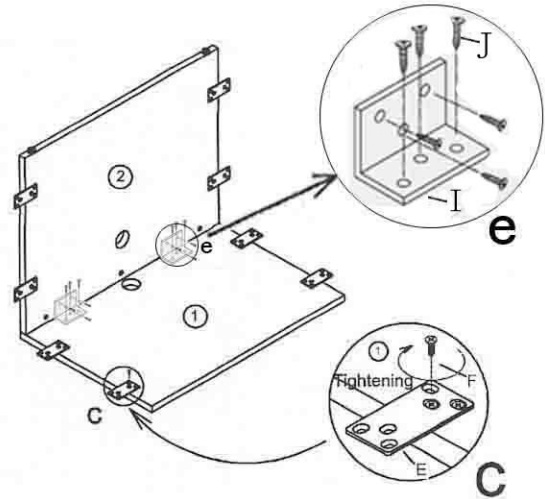
V01/03-09

CONC10	CONC11	DOWEL	GLIDE	TUN0191B	TUN018SC	TUN015BG	PLASTIC CAP	L-Bracket	TUN013LB
A  Cam Lock Pin 3Pcs+1Pcs	B  Cam Lock 3Pcs+1Pcs	C  Dowel 4Pcs+1Pcs	D  Glide 2Pcs	E  Flat Bracket 8Pcs	F  Screw #4*1/2" 48Pcs+2Pcs	G  Grommet 2Pcs	H  CAMLOCK CAP 3Pcs+1Pcs	I  L-Bracket 2Pcs	J  12Pcs

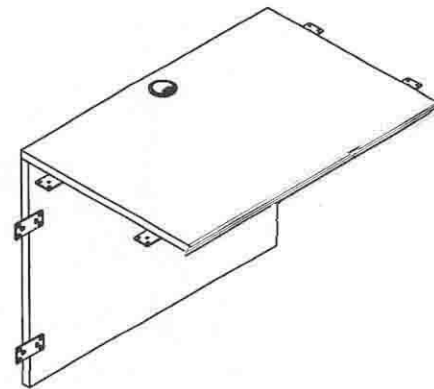
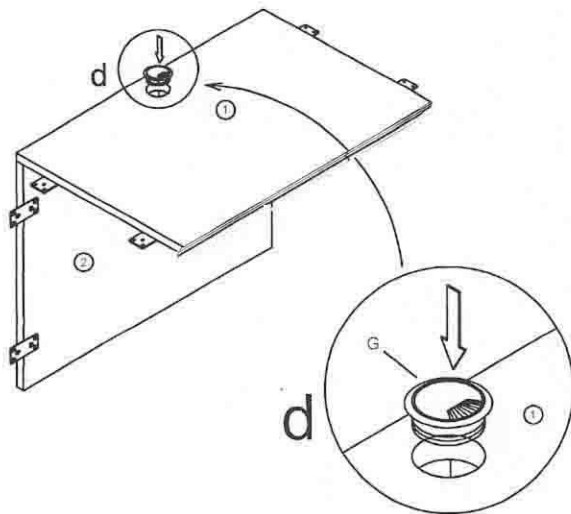
STEP1



STEP2



STEP3



COMPLETED ASSEMBLY

IMPORTANT NOTE:

- It is advisable to assemble unit on a carpet to avoid scratch.
- Check to be sure that you have all parts and hardware.
- Don't tighten all screws/bolts until all completely assembled.
- It is recommended to require 2 persons to complete the assembling.