

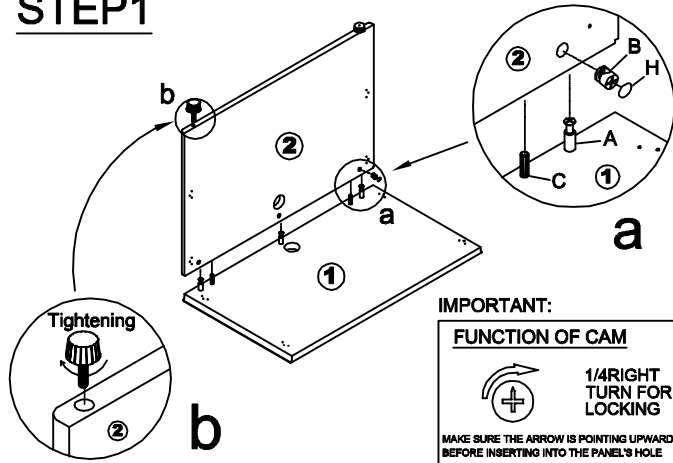


Assembly Instructions
MODELNO.:
MR4824FB,MR4224FB
BRIDGE

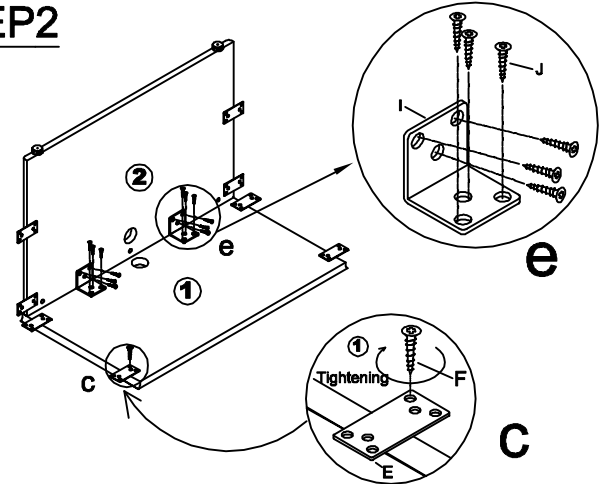
V02/10-12

CONC10	CONC11	DOWEL	GLIDE	TUN01918	TUN018SC	TUN015BG	CAM COVER	L-Bracket	TUN013LB
A Cam Lock Pin 3 Pcs+2 Pcs	B Cam Lock 3 Pcs+2 Pcs	C Dowel 2 Pcs+2 Pcs	D Glide M8*25 2 Pcs	E Flat Bracket 8 Pcs	F Screw Ø4*20 48 Pcs+2 Pcs	G Grommet 2 Pcs	H Cam Lock Sticker 3 Pcs+2 Pcs	I L-Bracket 2 Pcs	J Screw Ø3.5*16 12 Pcs

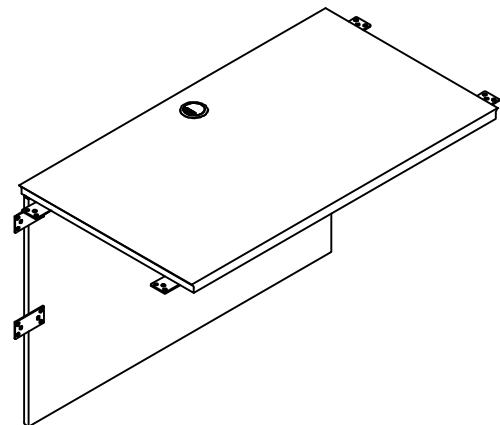
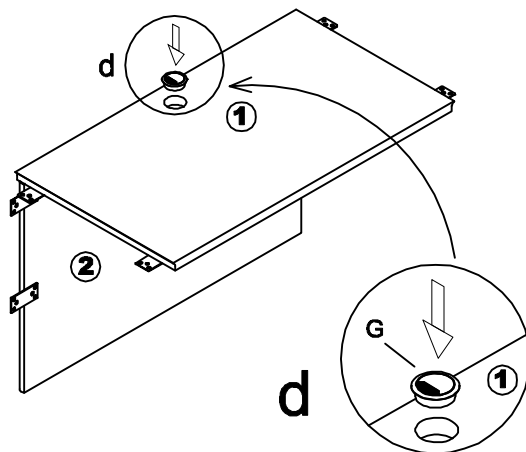
STEP1



STEP2



STEP3



COMPLETED ASSEMBLY

IMPORTANT NOTE

- .It is advisable to assemble unit on a carpet to avoid scratch.
- .Check to be sure that you have all parts and hardware.
- .Don't tighten all screws/bolts until all completely assembled
- .It is recommended to require 2 persons to complete the assembling.

CARE&CLEANING

Wood Veneer Finishes: Following the direction of the grain,wipe with a soft damp cloth, then a soft dry cloth. For heavier soils, try a mild soap solution (do not use spraypolishes, solvents or products containing ammonia), then repeat the above steps.