



Assembly Instructions

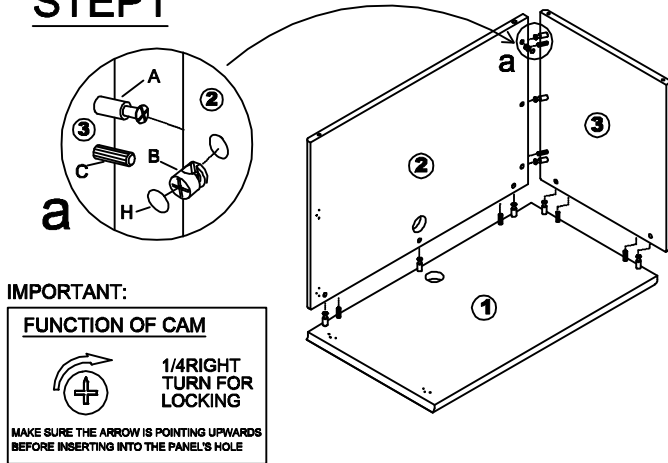
MODEL NO.:MR4824L,MR4224L

RETURN-LEFT

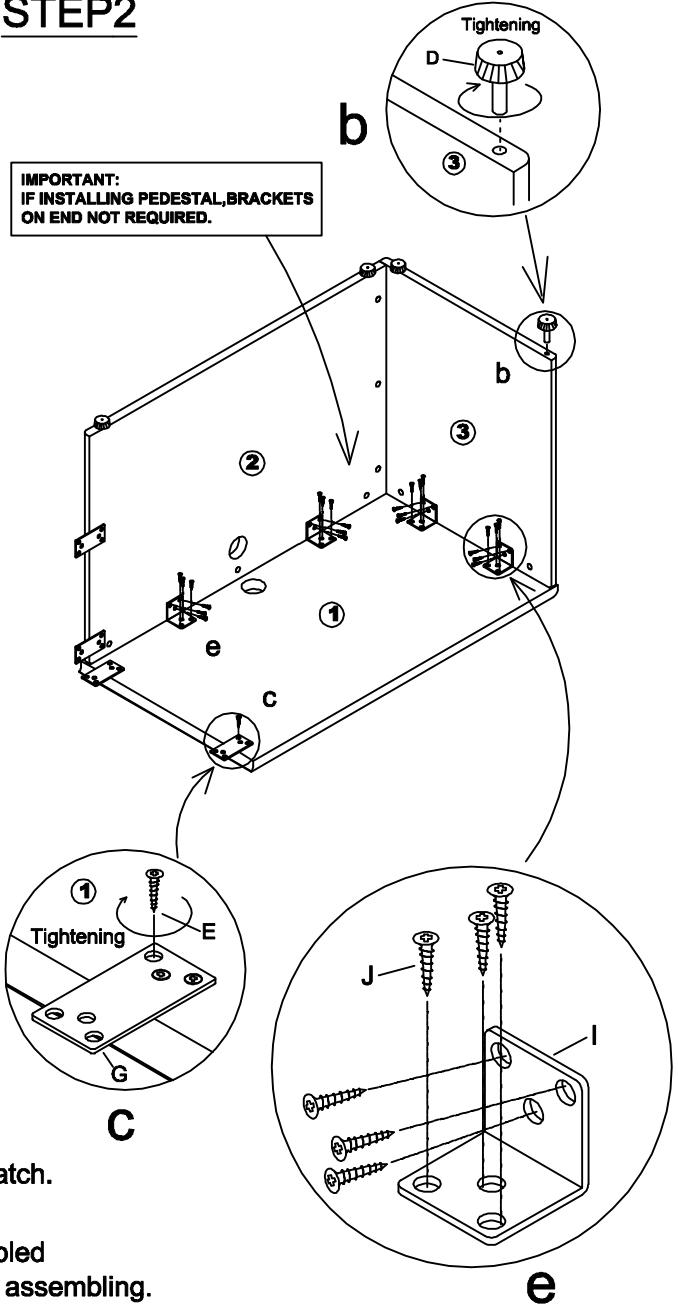
V02/10-12

CONC10	CONC11	DOWEL	GLIDE	TUN013LB	TUN018SC	TUN015BG	CAM COVER	L-Bracket	TUN013LB
A Cam Lock Pin 8 Pcs+2 Pcs	B Cam Lock 8 Pcs+2 Pcs	C Dowel 6 Pcs+2 Pcs	D Glide M8*25 4 Pcs	E Screw 3/4*20 24 Pcs+2 Pcs	F Grommet 2 Pcs	G Flat Bracket 4 Pcs	H Cam Lock Sticker 8 Pcs+2 Pcs	I L-Bracket 4 Pcs	J Screw 23.5*16 24 Pcs

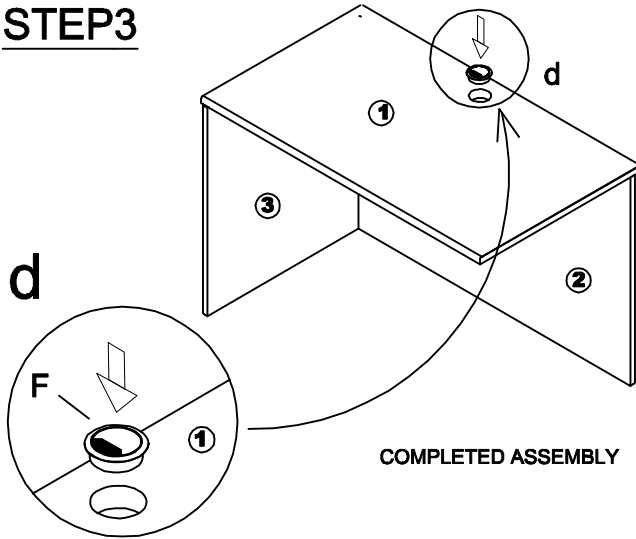
STEP1



STEP2



STEP3



IMPORTANT NOTE

- .It is advisable to assemble unit on a carpet to avoid scratch.
- .Check to be sure that you have all parts and hardware.
- .Don't tighten all screws/bolts until all completely assembled
- .It is recommended to require 2 persons to complete the assembling.

CARE&CLEANING

Wood Veneer Finishes: Following the direction of the grain,wipe with a soft damp cloth, then a soft dry cloth. For heavier soils, try a mild soap solution (do not use spraypolishes, solvents or products containing ammonia), then repeat the above steps.