



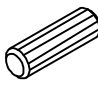





Assembly Instructions

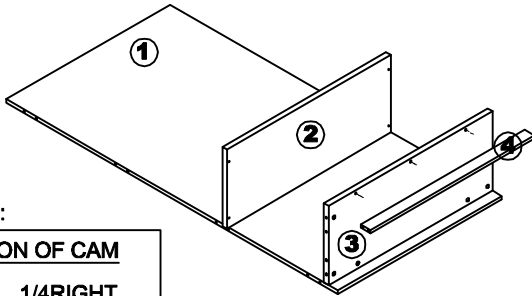
**MODEL NO.:MR70BC**

**B00KCASE**

**V02/10-12**


CONC10	CONC11	DOWEL	GLIAE	SHELF PIN	CAM COVER
<b>A</b>  Cam LOCK Pin 28 Pcs+2 Pcs	<b>B</b>  Cam Lock 28 Pcs+2 Pcs	<b>C</b>  Dowel 31 Pcs+2 Pcs	<b>D</b>  Glide M8*25 4 Pcs	<b>E</b>  Shelf Pin 12 Pcs+2 Pcs	<b>F</b>  Cam Lock Sticker 28 Pcs+2 Pcs

**STEP1**



**IMPORTANT:**

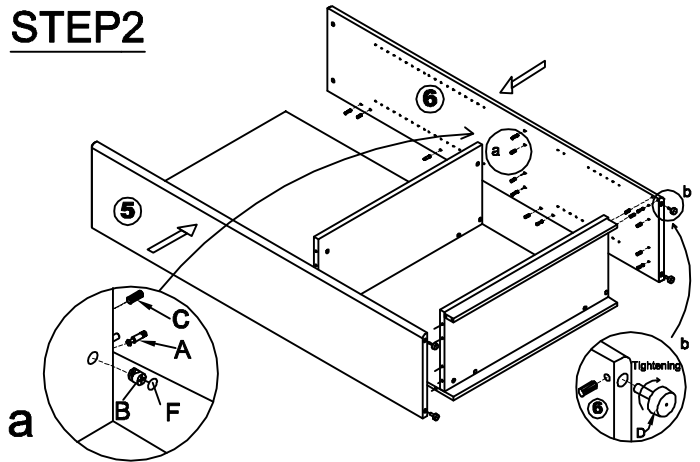
**FUNCTION OF CAM**



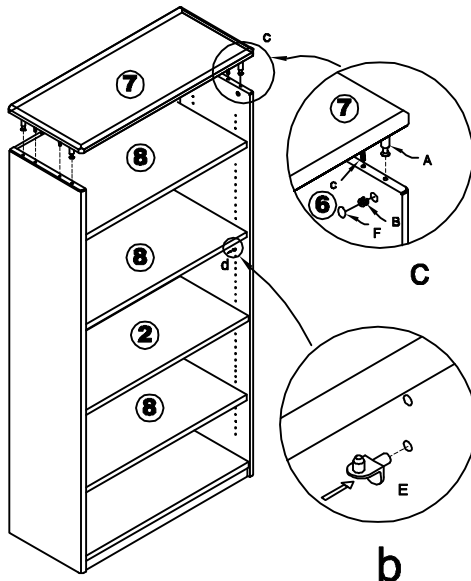
**1/4RIGHT TURN FOR LOCKING**

MAKE SURE THE ARROW IS POINTING UPWARDS BEFORE INSERTING INTO THE PANEL'S HOLE

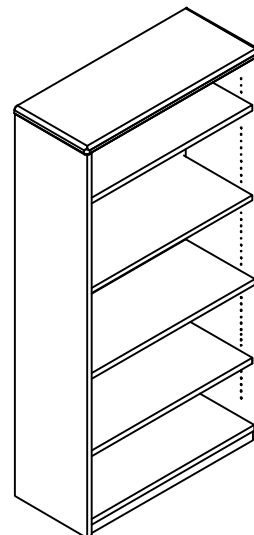
**STEP2**



**STEP3**



**COMPLETED ASSEMBLY**



**IMPORTANT NOTE**

- .It is advisable to assemble unit on a carpet to avoid scratch.
- .Check to be sure that you have all parts and hardware.
- .Don't tighten all screws/bolts until all completely assembled
- .It is recommended to require 2 persons to complete the assembling.

**CARE & CLEANING**

Wood Veneer Finishes:Following the direction of the grain ,wipe with a soft damp cloth ,then a soft dry cloth.For heavier soils,try a mild soap solution(do not use spray polishes,solvents or products containing ammonia),then repeat the above steps.