







Assembly Instructions

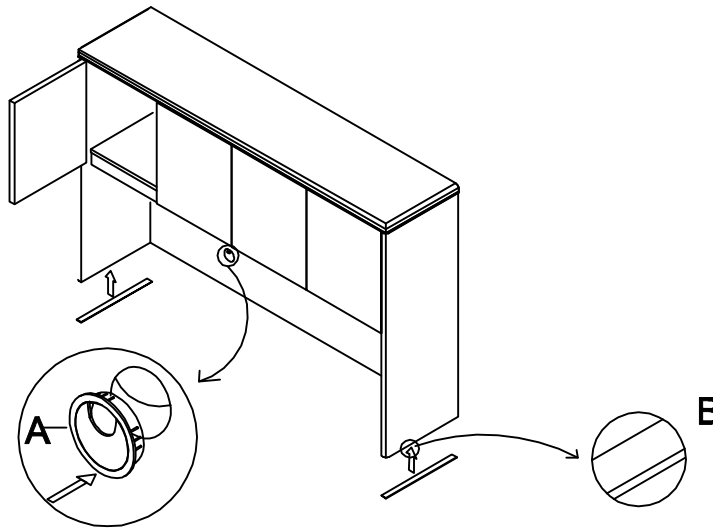
MODEL NO.:MR70HD,MR64HD

CREDENZA HUTCH

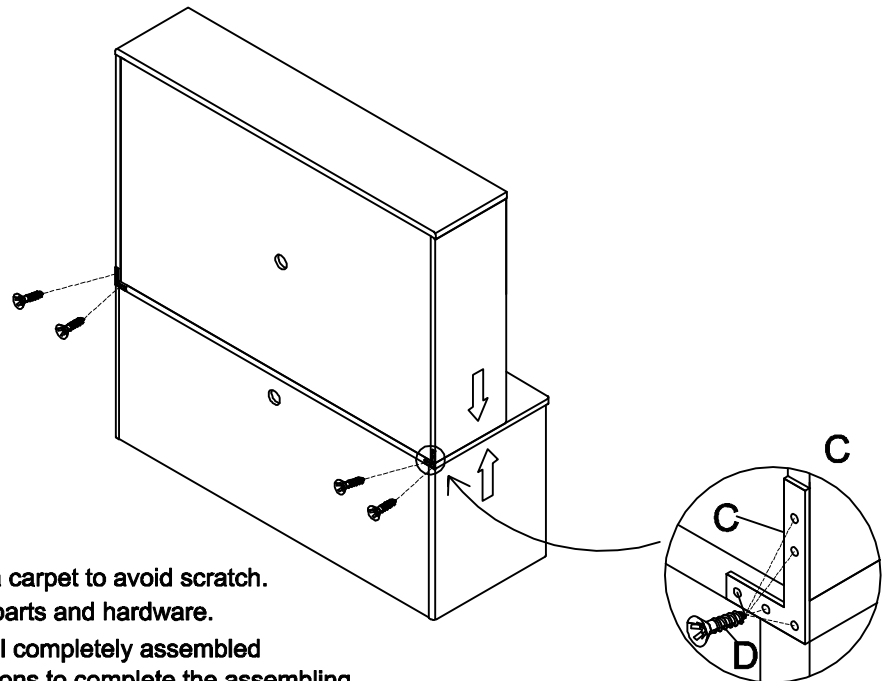
V02/10-12

TUN015BG	FLANNEL	TUN013LB	TUN013SC
A  Grommet 1 Pcs	B  Black EVA 2 Pcs	C  L-Bracket 2 Pcs	D  Screw Ø3.5*16MM 10 Pcs+2 Pcs

STEP1



STEP2



IMPORTANT NOTE

- .It is advisable to assemble unit on a carpet to avoid scratch.
- .Check to be sure that you have all parts and hardware.
- .Don't tighten all screws/bolts until all completely assembled
- .It is recommended to require 2 persons to complete the assembling.

CARE & CLEANING

Wood Veneer Finishes:Following the direction of the grain ,wipe with a soft damp cloth ,then a soft dry cloth.For heavier soils,try a mild soap solution(do not use spray polishes,solvents or products containing ammonia),then repeat the above steps.