





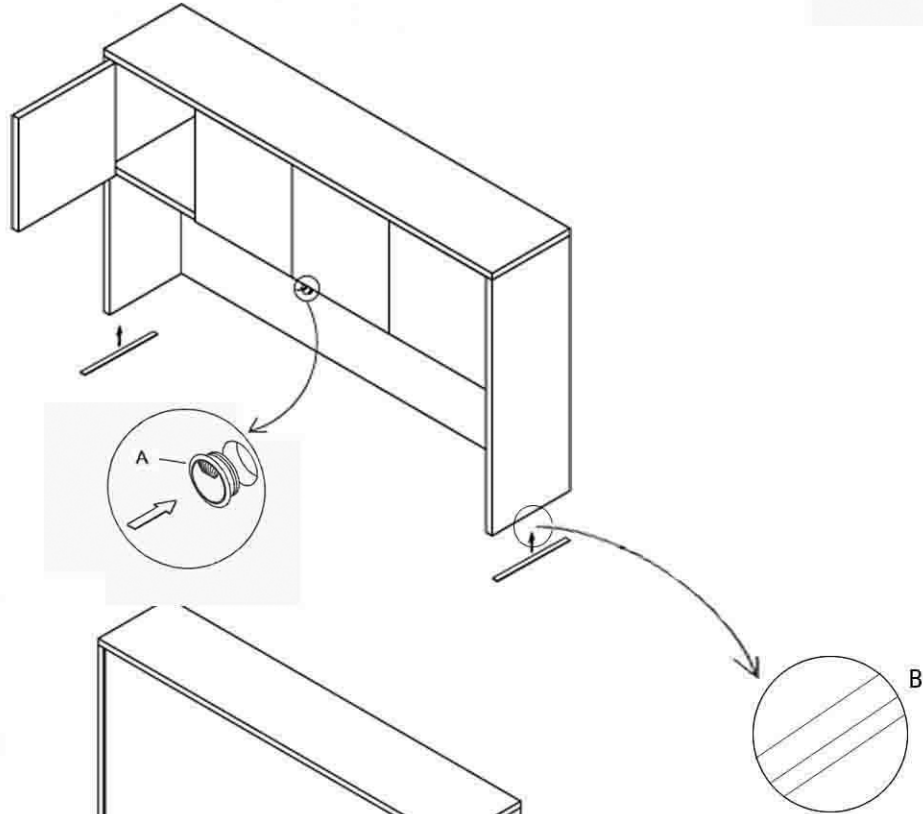


Assembly Instructions
MODEL NO.: MR70HD, MR64HD
CREDENZA HUTCH

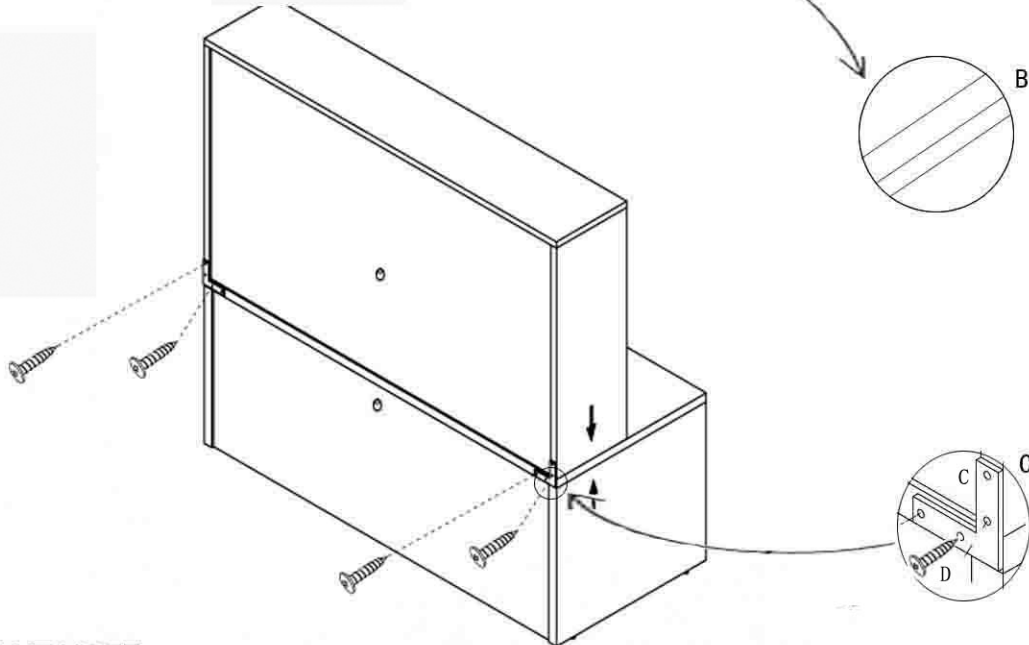
V01/03-09

| TUN015BG | FLANNEL | TUN013LB | TUN018SG |
|--|--|--|---|
| A  | B  | C  | D  |
| Grommet 1Pcs | Brown Flannel 2Pcs | L-Bracket 2Pcs | Screw 8Pcs+2Pcs |

STEP1



STEP2



IMPORTANT NOTE:

- It is advisable to assemble unit on a carpet to avoid scratch.
- Check to be sure that you have all parts and hardware.
- Don't tighten all screws/bolts until all completely assembled.
- It is recommended to require 2 persons to complete the assembling.