









Assembly Instructions

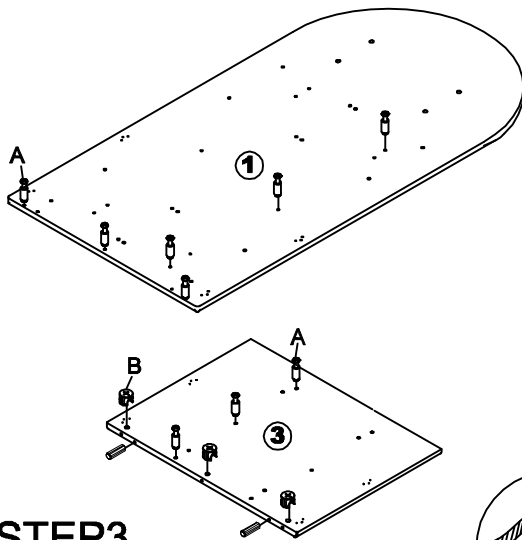
MODEL NO.:MR7236DI

Bullet Desk

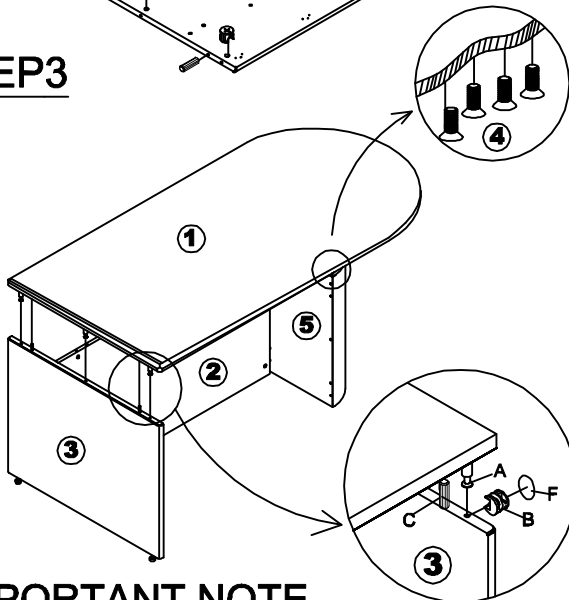
V02/10-12

CONC10	CONC11	DOWEL	GLIDE	TUNO27SC	CAM COVER
A  Cam Lock Pin 12 Pcs+2 Pcs	B  Cam Lock 12 Pcs+2 Pcs	C  Dowel 8 Pcs+2 Pcs	D  Glide M8*25 5 Pcs	E  Screw M6*25mm 8 Pcs+2 Pcs	F  Cam Lock Sticker 22 Pcs+2 Pcs

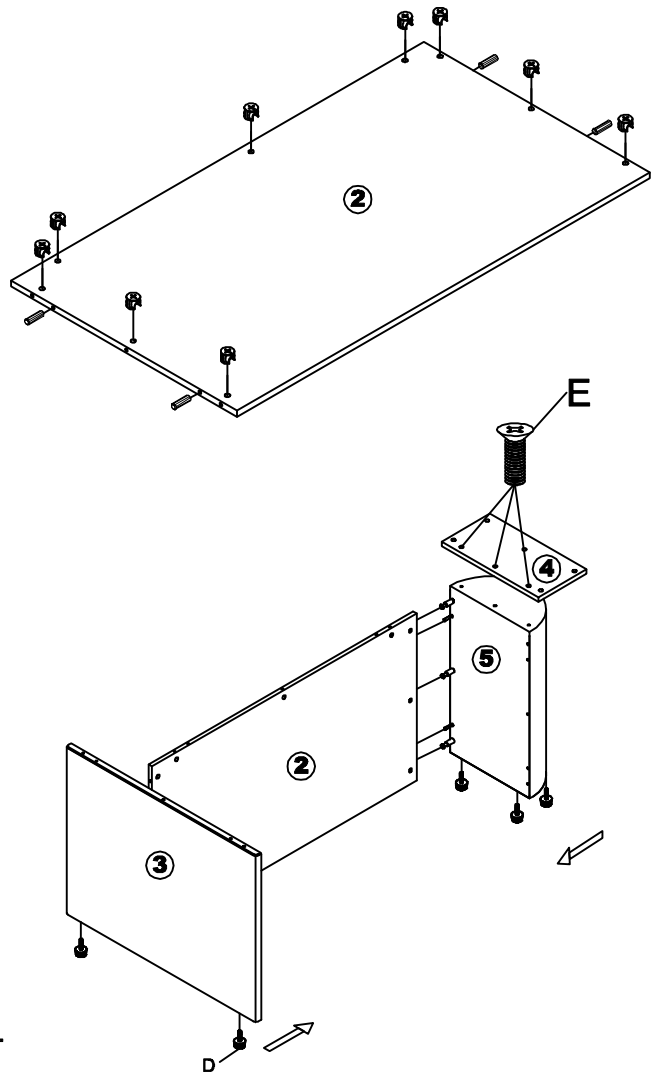
STEP1



STEP3



STEP2



IMPORTANT NOTE

- .It is advisable to assemble unit on a carpet to avoid scratch.
- .Check to be sure that you have all parts and hardware.
- .Don't tighten all screws/bolts until all completely assembled
- .It is recommended to require 2 persons to complete the assembling.

CARE & CLEANING

Wood Veneer Finishes:Following the direction of the grain ,wipe with a soft damp cloth ,then a soft dry cloth.For heavier soils,try a mild soap solution(do not use spray polishes,solvents or products containing ammonia),then repeat the above steps.