



Assembly Instructions

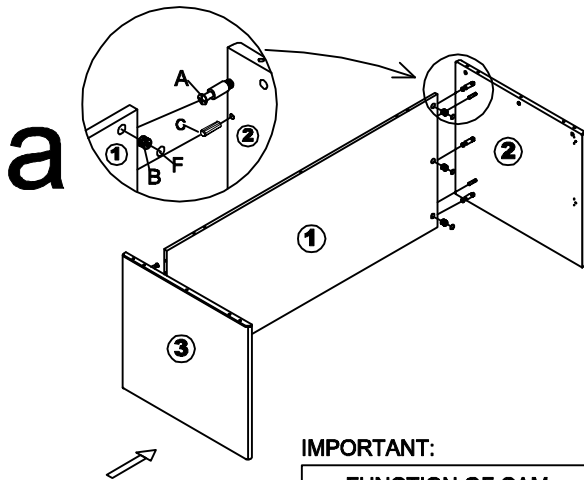
MODEL NO.:MR7240BDS

DESK SHELLS

V02/10-12

CONC10	CONC11	DOWEL	GLIAE	TUN015BG	CAM COVER	L-Bracket	TUN013LB
A Cam Lock Pin 15 Pcs*2 Pcs	B Cam Lock 15 Pcs*2 Pcs	C Dowel 10 Pcs*2 Pcs	D Glide M8*25mm 4 Pcs	E Grommet 2 Pcs	F Cam Lock Sticker 15 Pcs*2 Pcs	G L-Bracket 4 Pcs	H Screw Ø3.5*16MM 24 Pcs

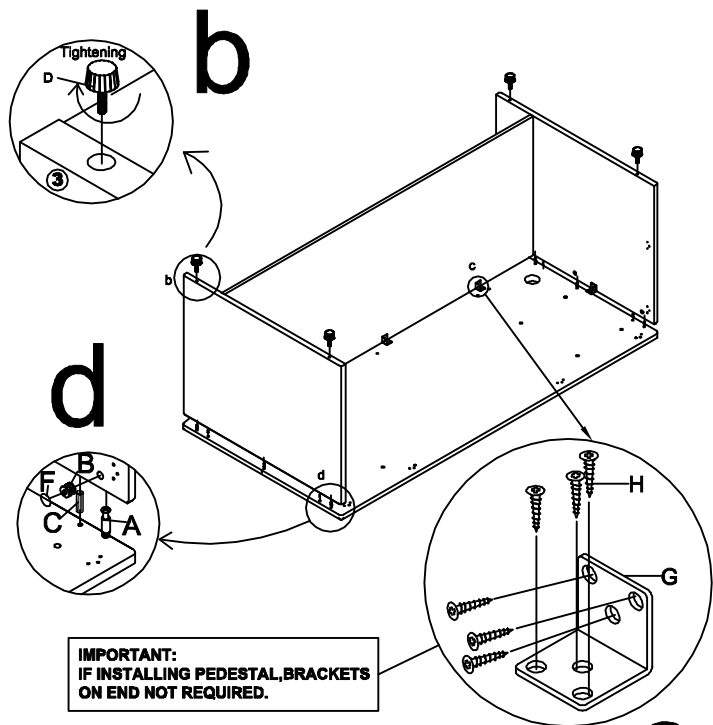
STEP1



IMPORTANT:
FUNCTION OF CAM

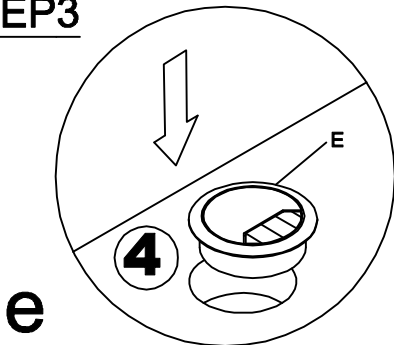
1/4 RIGHT TURN FOR LOCKING
MAKE SURE THE ARROW IS POINTING UPWARDS BEFORE INSERTING INTO THE PANEL'S HOLE

STEP2



IMPORTANT:
IF INSTALLING PEDESTAL BRACKETS ON END NOT REQUIRED.

STEP3



IMPORTANT NOTE

- .It is advisable to assemble unit on a carpet to avoid scratch.
- .Check to be sure that you have all parts and hardware.
- .Don't tighten all screws/bolts until all completely assembled
- .It is recommended to require 2 persons to complete the assembling.

CARE & CLEANING

Wood Veneer Finishes:Following the direction of the grain ,wipe with a soft damp cloth ,then a soft dry cloth.For heavier soils,try a mild soap solution(do not use spray polishes,solvents or products containing ammonia),then repeat the above steps.