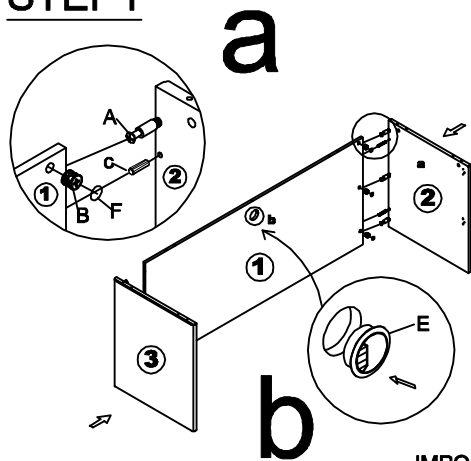




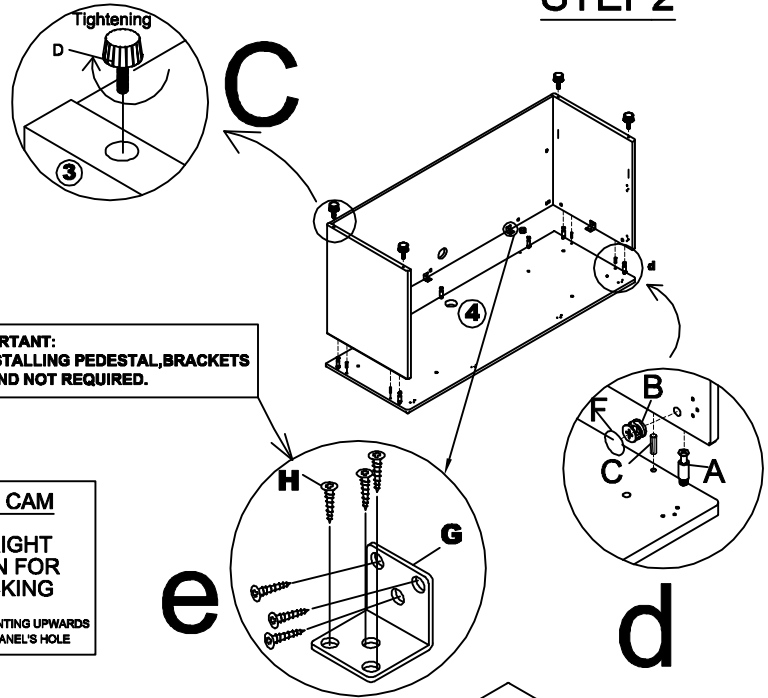
Assembly Instructions
MODEL NO.:MR7224CS,MR6624CS
CREDENZA SHELL **V02/10-12**

CONC10	CONC11	DOWEL	GLIDE	TUN015BG	CAM COVER	L-Bracket	TUN013LB
A Cam Lock Pin 13 Pcs*2 Pcs	B Cam Lock 13 Pcs*2 Pcs	C Dowel 10 Pcs*2 Pcs	D Glide M8*25mm 4 Pcs	E Grommet 2 Pcs	F Cam Lock Sticker 13 Pcs*2 Pcs	G L-Bracket 4 Pcs	H Screw Ø3.5*16mm 24 Pcs

STEP1



STEP2

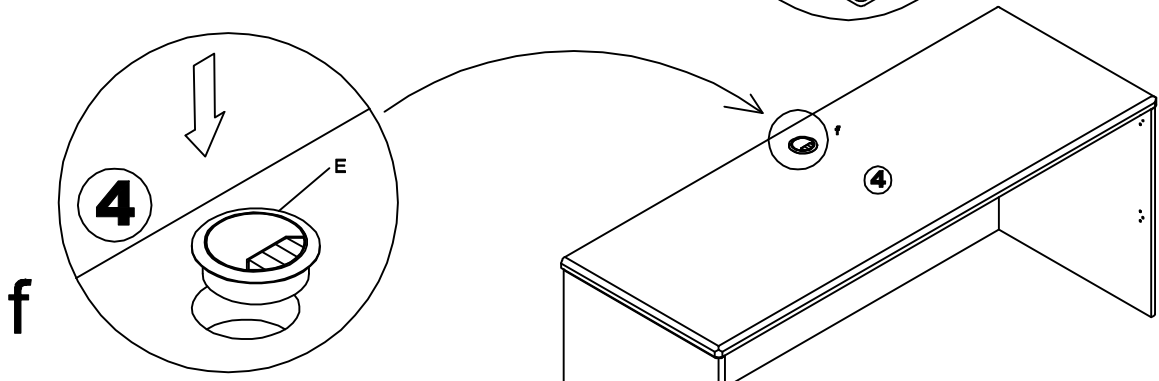


IMPORTANT:
IF INSTALLING PEDESTAL,BRACKETS
ON END NOT REQUIRED.

IMPORTANT:
FUNCTION OF CAM

**1/4RIGHT
TURN FOR
LOCKING**
MAKE SURE THE ARROW IS POINTING UPWARDS
BEFORE INSERTING INTO THE PANEL'S HOLE

STEP3



IMPORTANT NOTE

- .It is advisable to assemble unit on a carpet to avoid scratch.
- .Check to be sure that you have all parts and hardware.
- .Don't tighten all screws/bolts until all completely assembled
- .It is recommended to require 2 persons to complete the assembling.

CARE & CLEANING

Wood Veneer Finishes:Following the direction of the grain ,wipe with a soft damp cloth ,then a soft dry cloth.For heavier soils,try a mild soap solution(do not use spray polishes,solvents or products containing ammonia),then repeat the above steps.