









Assembly Instructions

MODEL NO.:

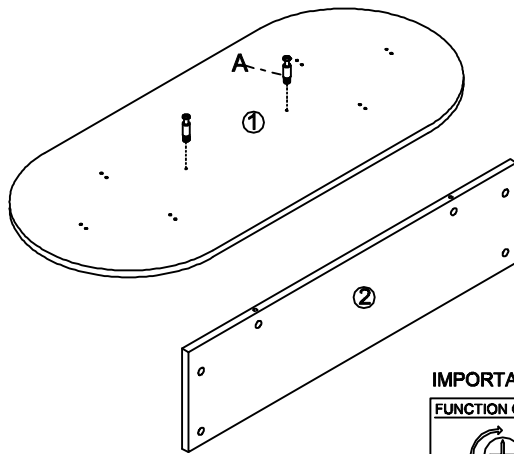
MR9642RH ,MR7236RH


R/T CONFERENCE TABLE

V02/10-12

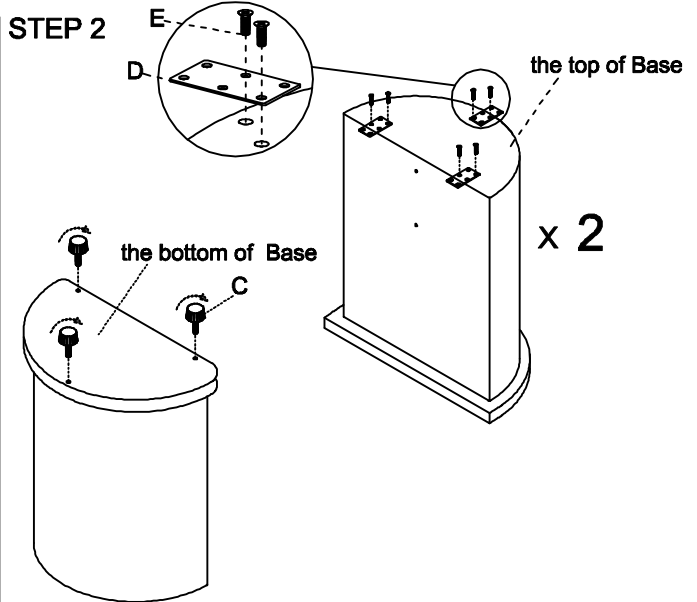
CONC10	CONC11	GLIDE	TUN019SC	TUN018SC	CAM COVER
A  Cam Lock Pin 6 Pcs+2 Pcs	B  Cam Lock 6 Pcs+2 Pcs	C  Glide M8*25 6 Pcs	D  Flat Plate 6 Pcs	E  Screw M6*15 24 Pcs+2 Pcs	F  Cam Lock Sticker 6 Pcs+2 Pcs

STEP 1

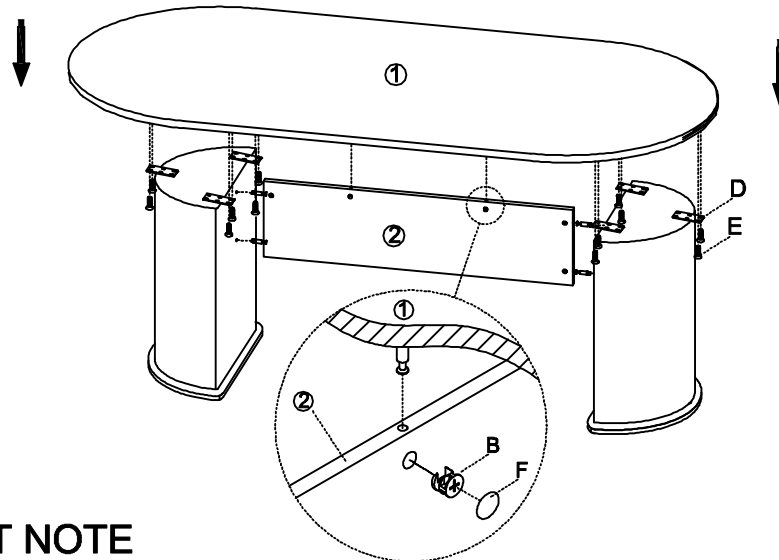


IMPORTANT:
FUNCTION OF CAM
 1/4 RIGHT TURN FOR LOCKING
MAKE SURE THE ARROW IS POINTING UPWARDS BEFORE INSERTING INTO THE PANEL'S HOLE

STEP 2



STEP 3



IMPORTANT NOTE

- .It is advisable to assemble unit on a carpet to avoid scratch.
- .Check to be sure that you have all parts and hardware.
- .Don't tighten all screws/bolts until all completely assembled
- .It is recommended to require 2 persons to complete the assembling.

CARE&CLEANING

Wood Veneer Finishes: Following the direction of the grain,wipe with a soft damp cloth, then a soft dry cloth. For heavier soils, try a mild soap solution (do not use spraypolishes, solvents or products containing ammonia), then repeat the above steps.