

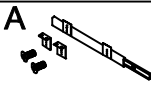
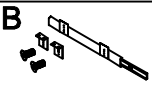




Assembly Instructions

**MODEL NO.:MRKB**

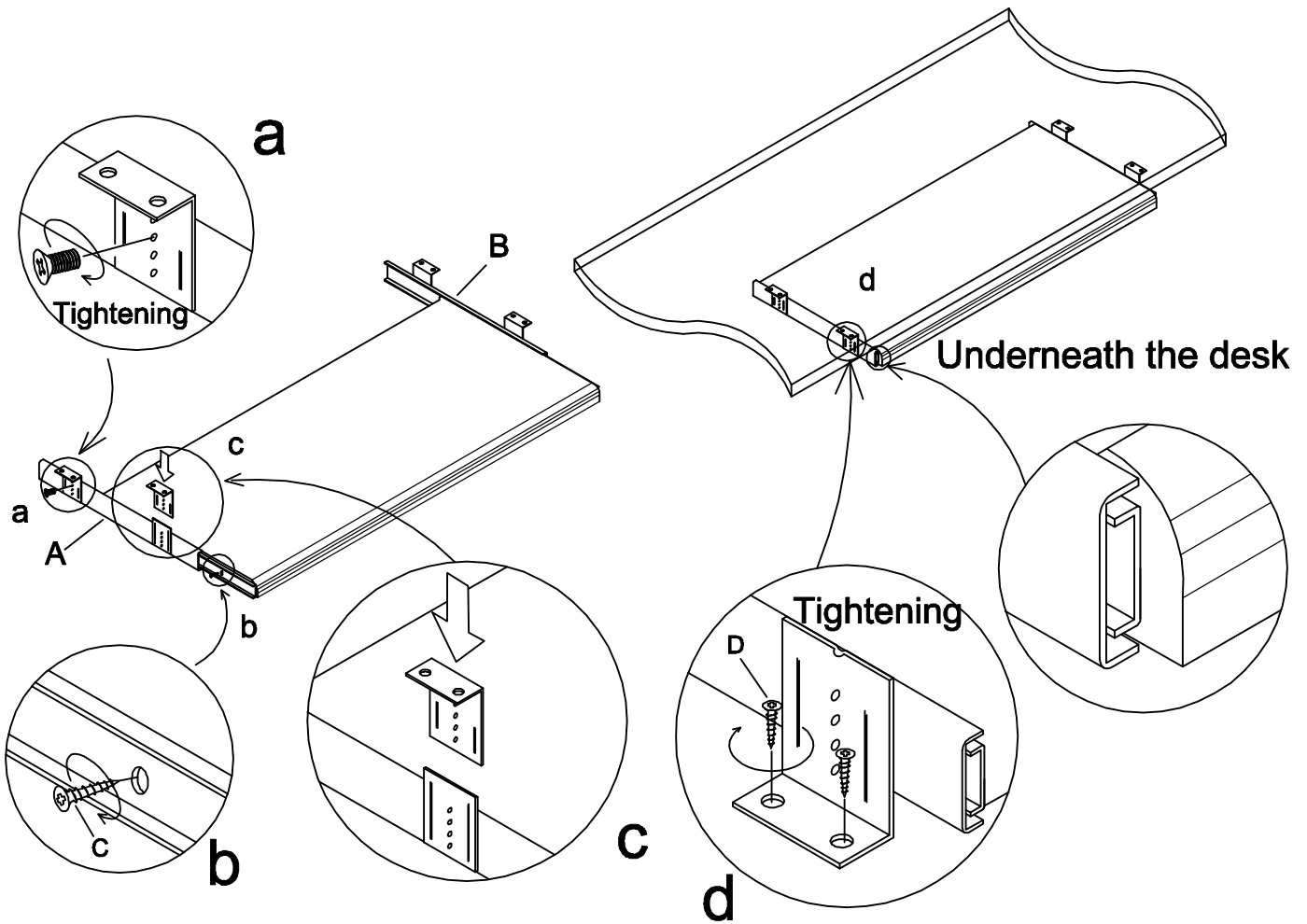
**KEYBOARD TRAY**

**V02/10-12**

CONC10	CONC11	DOWEL	SLIDES
 <p>Left Slide 1 Set</p>	 <p>Right Slide 1 Set</p>	 <p>Screw Ø4*14 8 Pcs+1 Pcs</p>	 <p>Screw Ø4*20 8 Pcs+1 Pcs</p>

**STEP1**

**STEP2**



Turn it over

**IMPORTANT NOTE**

- .It is advisable to assemble unit on a carpet to avoid scratch.
- .Check to be sure that you have all parts and hardware.
- .Don't tighten all screws/bolts until all completely assembled
- .It is recommended to require 2 persons to complete the assembling.

**CARE&CLEANING**

Wood Veneer Finishes: Following the direction of the grain,wipe with a soft damp cloth, then a soft dry cloth. For heavier soils, try a mild soap solution ( do not use spraypolishes, solvents or products containing ammonia ), then repeat the above steps.