



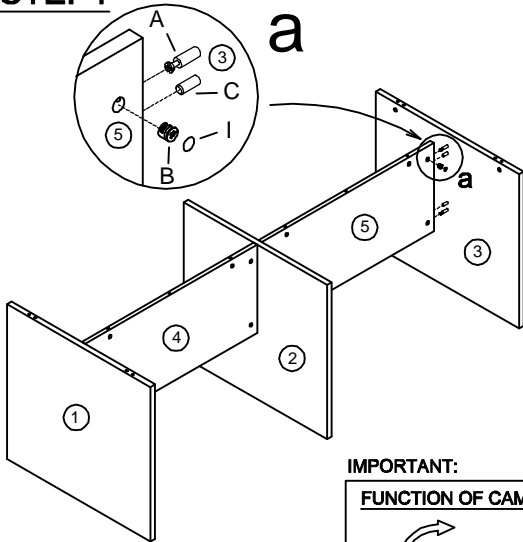
Assembly Instructions
 MODEL NO.:SL12048RS
 R/T CONFERENCE TABLE


02/09
 LO2/0209

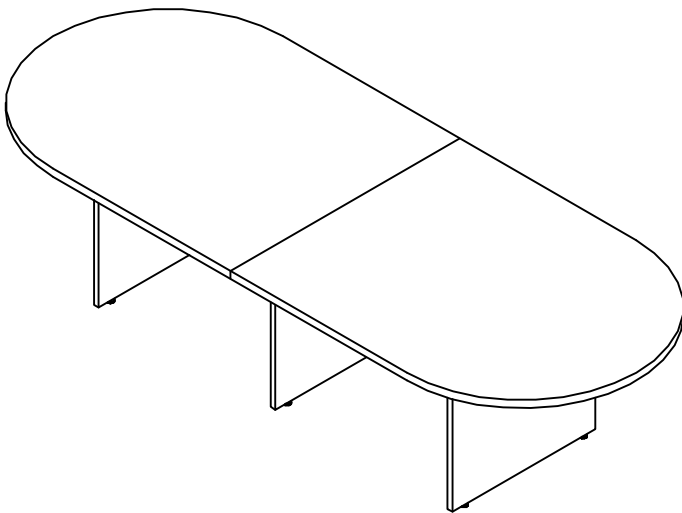
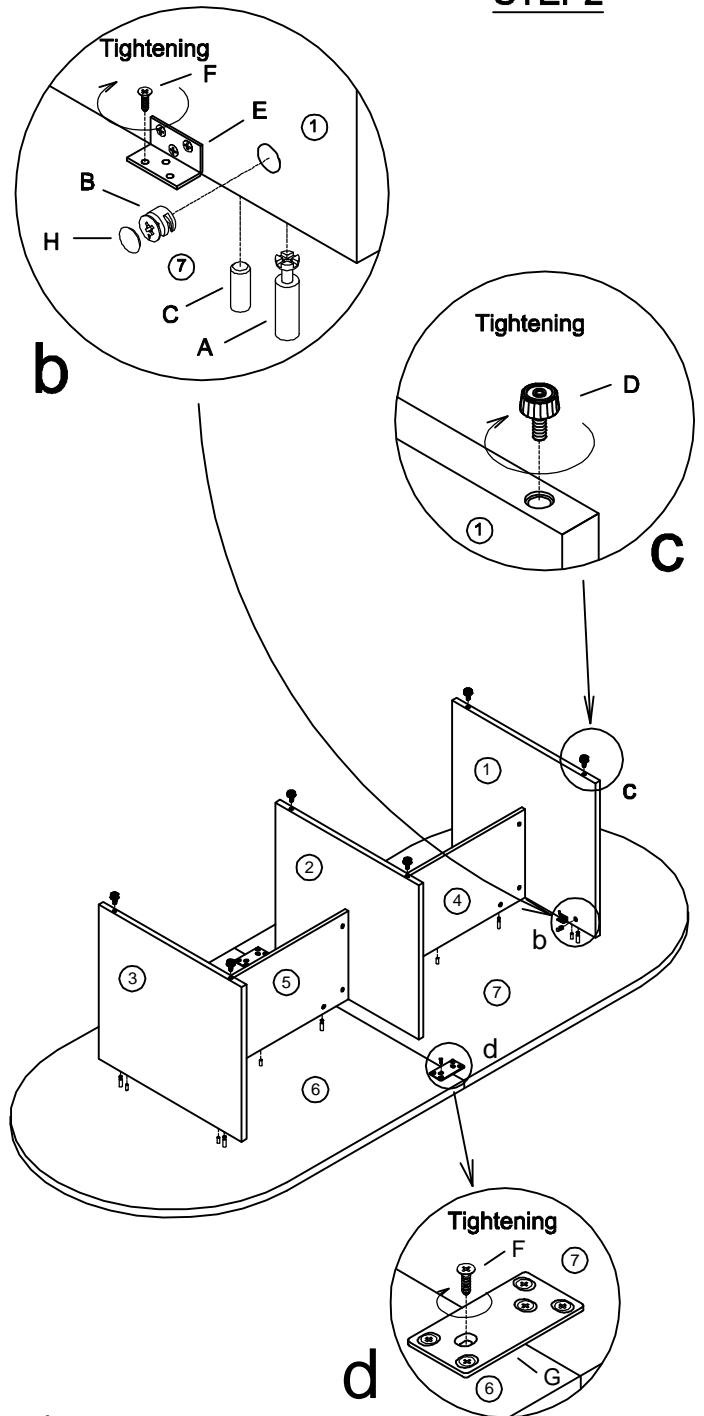
CONC10	CONC11	DOWEL	GLIDE	TUN013LB	TUN018SC	TUN019SC	PLASTIC CAP	PLASTIC CAP
A Cam Lock Pin 16Pcs+2Pcs	B Cam Lock 16Pcs+2Pcs	C Dowel 14Pcs+2Pcs	D Glide 6Pcs	E L-Bracket 6Pcs	F Screw #4*5/8" 48Pcs+5Pcs	G Flat Bracket 2Pcs	H DEEP CAMLOCK CAP 4Pcs+1Pcs	I CAMLOCK CAP 12Pcs+1Pcs

STEP1

STEP2



IMPORTANT:
FUNCTION OF CAM
 1/4 RIGHT TURN FOR LOCKING
 MAKE SURE THE ARROW IS POINTING UPWARDS BEFORE INSERTING INTO THE PANEL'S HOLE.



COMPLETED ASSEMBLY

IMPORTANT NOTE:

- It is advisable to assemble unit on a carpet to avoid scratch.
- Check to be sure that you have all parts and hardware.
- Don't tighten all screws/bolts until all completely assembled.
- It is recommended to require 2 persons to complete the assembling.