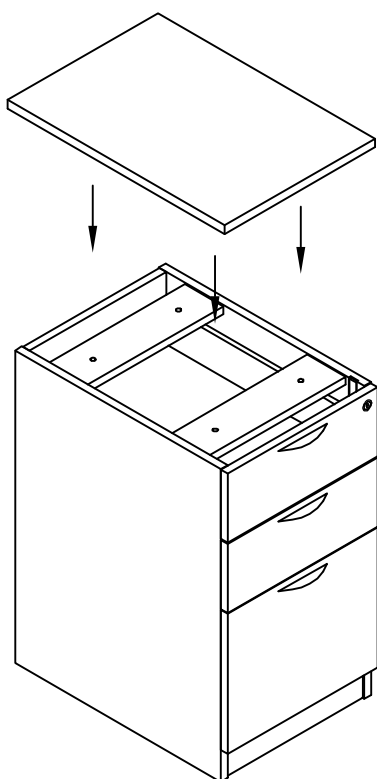




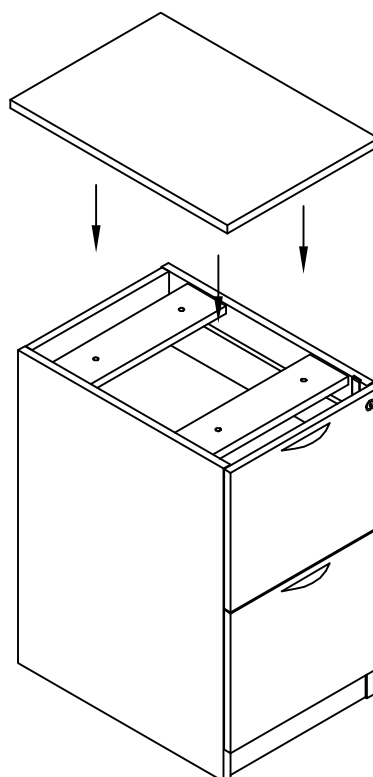
Assembly Instructions  
MODEL NO.: SL22TOP  
PEDESTAL TOP

LO2/02-09

SL22BBF



SL22FF



Use 4 M6\*40mm screws to attach top as provided with pedestal.

**IMPORTANT NOTE:**

- It is advisable to assemble unit on a carpet to avoid scratch.
- Check to be sure that you have all parts and hardware.
- Don't tighten all screws/bolts until all completely assembled.
- It is recommended to require 2 persons to complete the assembling.
- Pedestals are not freestanding; most gang to other units or are bracketed to a wall.