








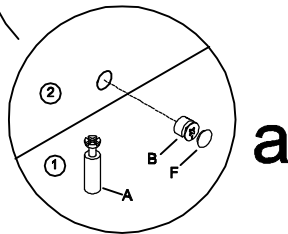
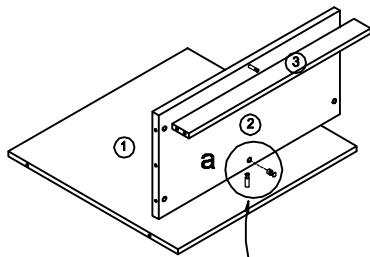


Assembly Instructions MODEL NO.:SL30BC BOOKCASE

LO2/02-09

CONC10	CONC11	DOWEL	GLIDE	TUN020SD	PLASTIC CAP	PLASTIC CAP
A  Cam Lock Pin 16Pcs+2Pcs	B  Cam Lock 16Pcs+2Pcs	C  Dowel 12Pcs+2Pcs	D  Glide 4Pcs	E  Shelf dowel 4Pcs	F  DEEP CAMLOCK CAP 9Pcs+1Pcs	G  CAMLOCK CAP 7Pcs+1Pcs

STEP1



IMPORTANT:

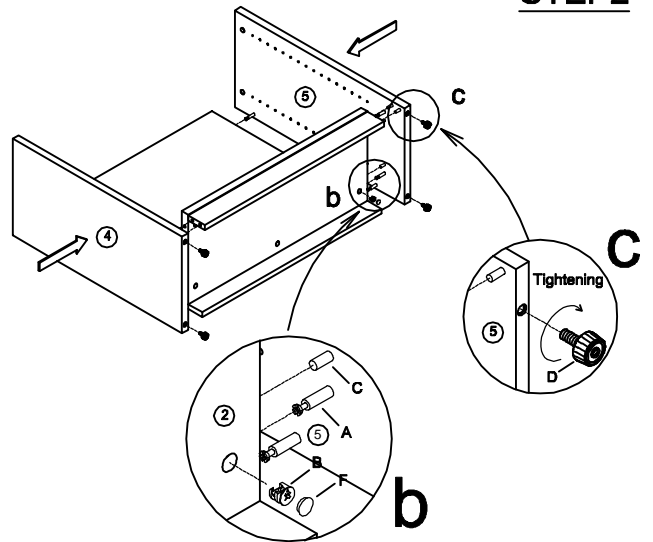
FUNCTION OF CAM



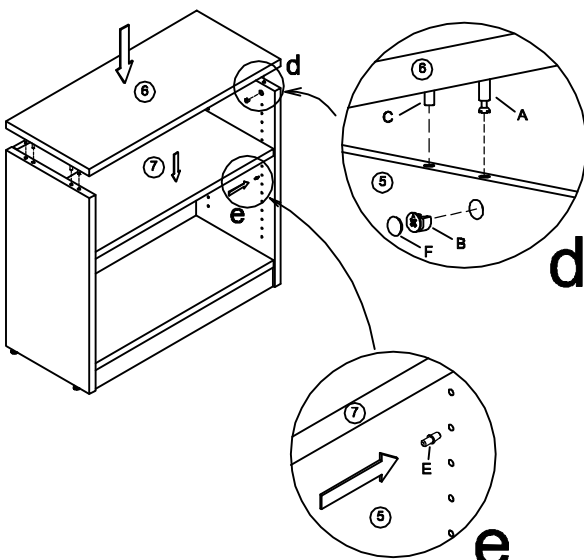
**1/4 RIGHT
TURN FOR
LOCKING**

**MAKE SURE THE ARROW IS POINTING UPWARDS
BEFORE INSERTING INTO THE PANEL'S HOLE.**

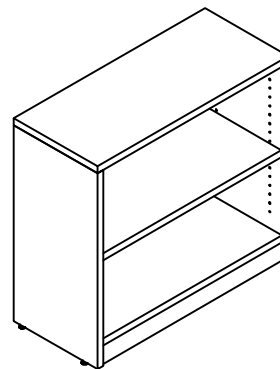
STEP2



STEP3



COMPLETED ASSEMBLY



IMPORTANT NOTE:

- It is advisable to assemble unit on a carpet to avoid scratch.
- Check to be sure that you have all parts and hardware.
- Don't tighten all screws/bolts until all completely assembled.
- It is recommended to require 2 persons to complete the assembling.