



Assembly Instructions

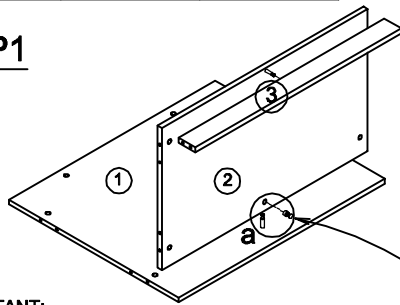
MODEL NO.:SL3622SC

2-DR CLOSED STORAGE

LO2/02-09

CONC10	CONC11	DOWEL	GLIDE	SUPPORT	HANDLE	LOCK	TUN220H	SCREW	PLASTIC CAP
A Cam Lock Pin 24Pcs+4Pcs	B Cam Lock 24Pcs+4Pcs	C Dowel 18Pcs+2Pcs	D Glide 4Pcs	E Shelf Support 4Pcs+1Pcs	F 96mm Shape Handle 2Pcs	G LOCK 1Set	H Hinge 4Pcs	I Screw #3*14 6Pcs	J CAMLOCK CAP 12Pcs+2Pcs
K Bumper Plastic 2Each	L DEEP CAMLOCK CAP 12Pcs+2Pcs	M Screw M6*40mm 6Pcs	STEP2						

STEP1



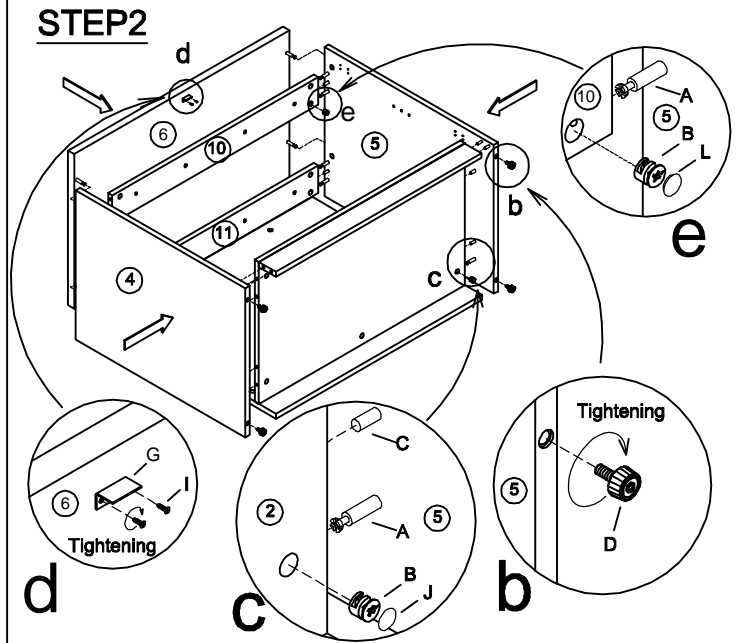
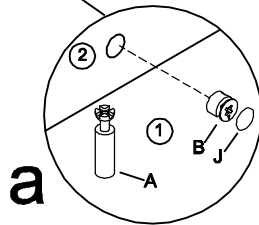
IMPORTANT:

FUNCTION OF CAM



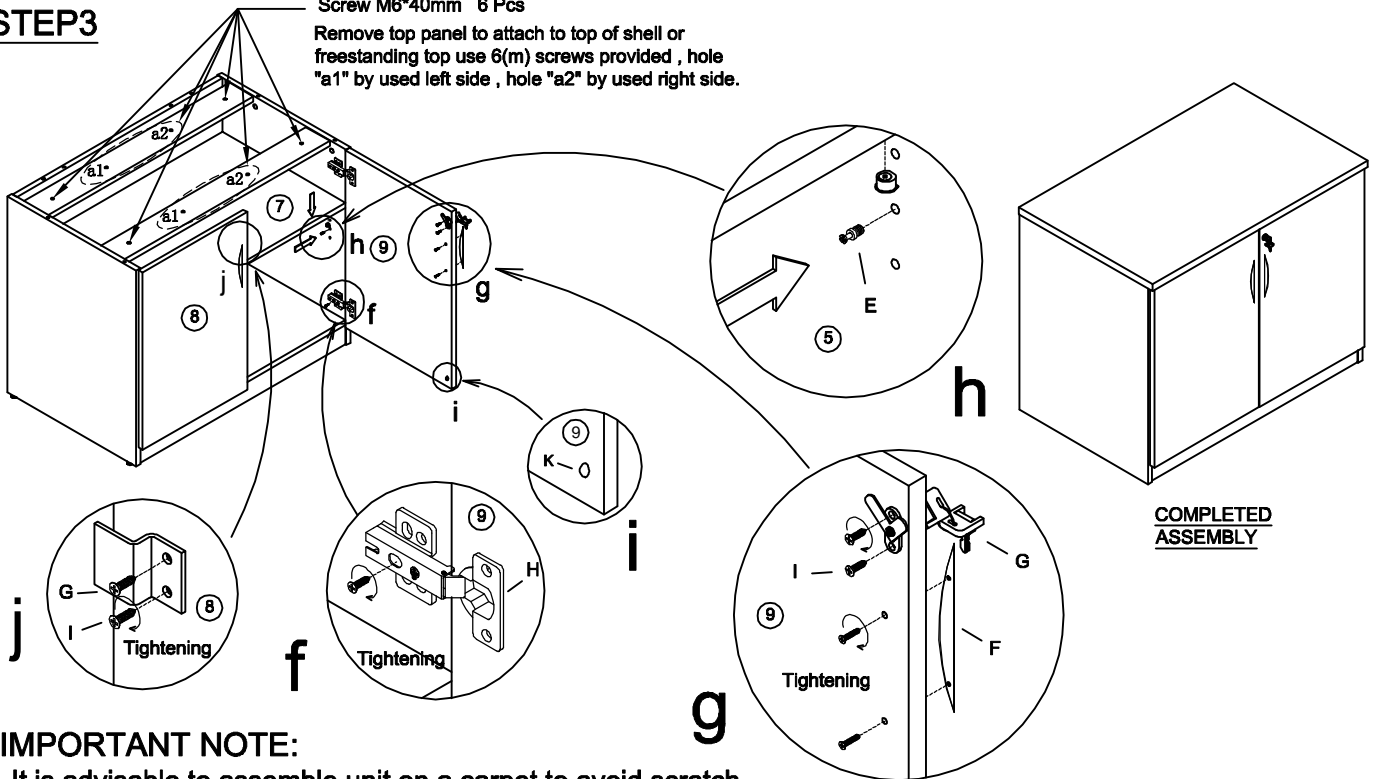
1/4 RIGHT
TURN FOR
LOCKING

MAKE SURE THE ARROW IS POINTING UPWARDS
BEFORE INSERTING INTO THE PANEL'S HOLE.



STEP3

Screw M6*40mm 6 Pcs
Remove top panel to attach to top of shell or
freestanding top use 6(m) screws provided, hole
"a1" by used left side, hole "a2" by used right side.



**COMPLETED
ASSEMBLY**

IMPORTANT NOTE:

- It is advisable to assemble unit on a carpet to avoid scratch.
- Check to be sure that you have all parts and hardware.
- Don't tighten all screws/bolts until all completely assembled.
- It is recommended to require 2 persons to complete the assembling.