

Assembly Instructions

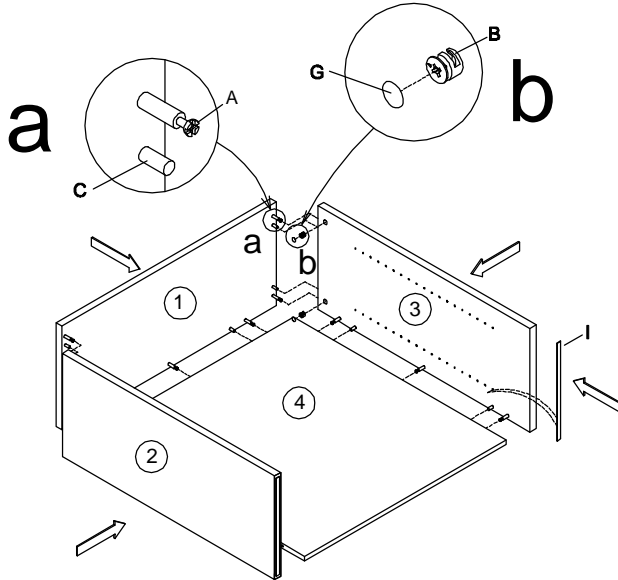
MODEL NO.:SL36HO

Table Top Bookcase

LO2/06-13

CONC10	CONC11	DOWEL	SUPPORT	TUN018SC	FLAT BRACKET	PLASTIC CAP	PLASTIC CAP	EVA
A Cam Lock Pin 13Pcs+2Pcs	B Cam Lock 13Pcs+2Pcs	C Dowel 10Pcs+2Pcs	D Shelf Support 8Pcs+2Pcs	E Screw #4*5/8" 14Pcs	F Flat Bracket 2Pcs	G DEEP CAMLOCK CAP 4Pcs+1Pcs	H CAMLOCK CAP 9Pcs+1Pcs	I ADHESIVE STRIP 2Pcs

STEP1



IMPORTANT:

FUNCTION OF CAM

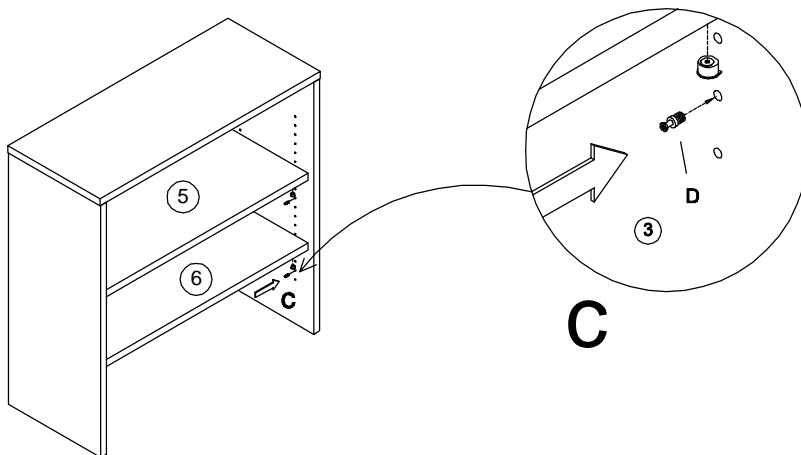


**1/4 RIGHT
TURN FOR
LOCKING**

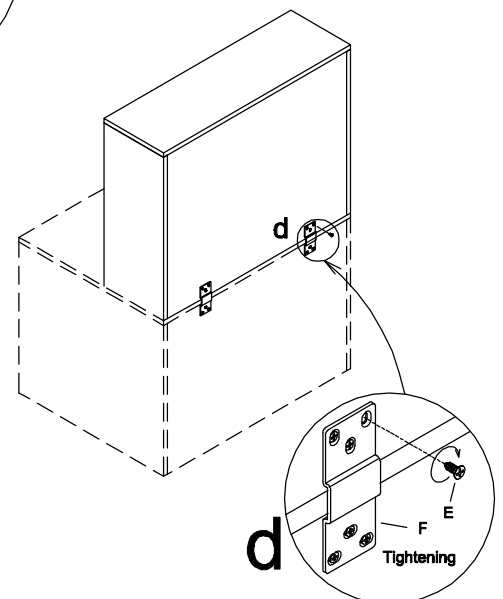
**MAKE SURE THE ARROW IS POINTING UPWARDS
BEFORE INSERTING INTO THE PANEL'S HOLE.**

**NOTE: CAP 'G' INSTALL ONTO 25MM PANELS;
CAP 'H' INSTALL ONTO 18MM PANELS.**

STEP2



STEP3



IMPORTANT NOTE:

- It is advisable to assemble unit on a carpet to avoid scratch.
- Check to be sure that you have all parts and hardware.
- Don't tighten all screws/bolts until all completely assembled.
- It is recommended to require 2 persons to complete the assembling.
- To secure HUTCH attach 2Pcs Flat Plates to back of HUTCH and back of lower unit.