

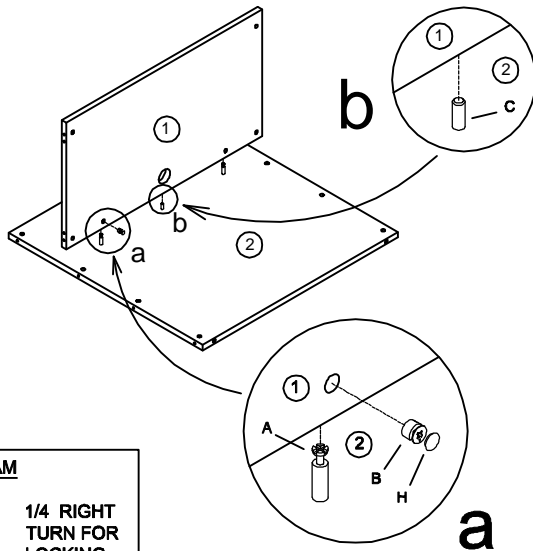


Assembly Instructions
MODEL NO.:SL4224RR
GALLERY RETURN

LO2/02-09

| CONC10 | CONC11 | DOWEL | GLIDE | TUN013LB | TUN018SC | TUN015BG | PLASTIC CAP | TUN019SC | PLUG |
|---|---------------------------------------|------------------------------------|-------------------------------|-----------------------------------|--|---------------------------------|---|--------------------------------------|---|
| A Cam Lock Pin 8Pcs+2Pcs | B Cam Lock 8Pcs+2Pcs | C Dowel 3Pcs+1Pcs | D Glide 4Pcs | E L-Bracket 3Pcs | F Screw #4*1/2 36Pcs+5Pcs | G Grommet 1Pcs | H DEEP CAMLOCK CAP 8Pcs+8Pcs | I Flat Bracket 3Pcs | J CAP FOR METAL INSERT 4Pcs |

STEP1



IMPORTANT:

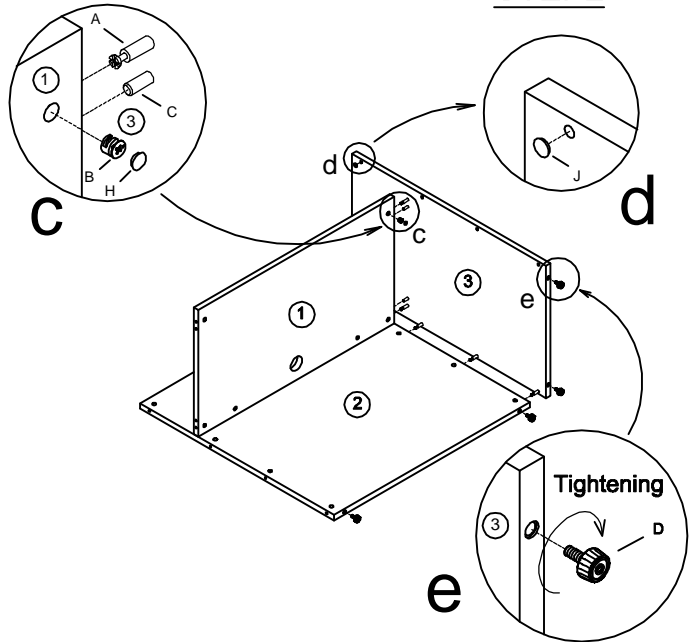
FUNCTION OF CAM



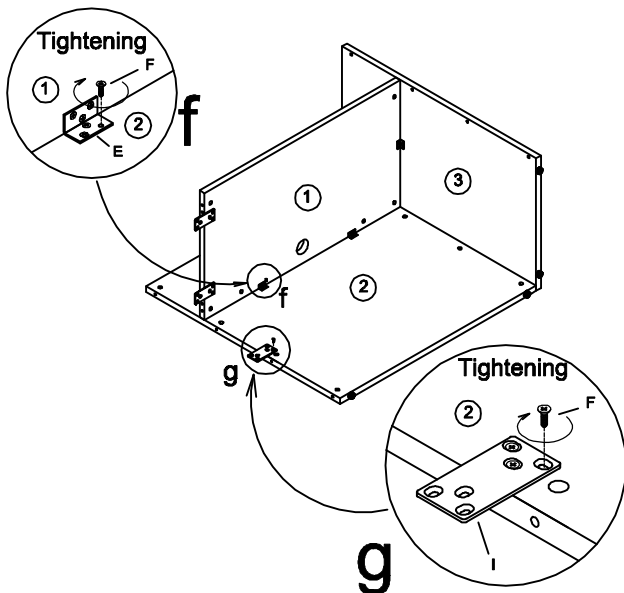
**1/4 RIGHT
TURN FOR
LOCKING**

**MAKE SURE THE ARROW IS POINTING UPWARDS
BEFORE INSERTING INTO THE PANEL'S HOLE.**

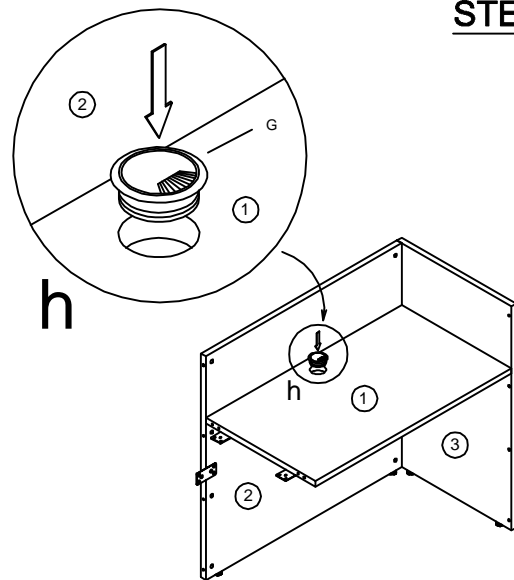
STEP2



STEP3



STEP4



COMPLETED ASSEMBLY

IMPORTANT NOTE:

- It is advisable to assemble unit on a carpet to avoid scratch.
- Check to be sure that you have all parts and hardware.
- Don't tighten all screws/bolts until all completely assembled.
- It is recommended to require 2 persons to complete the assembling.