



# Assembly Instructions

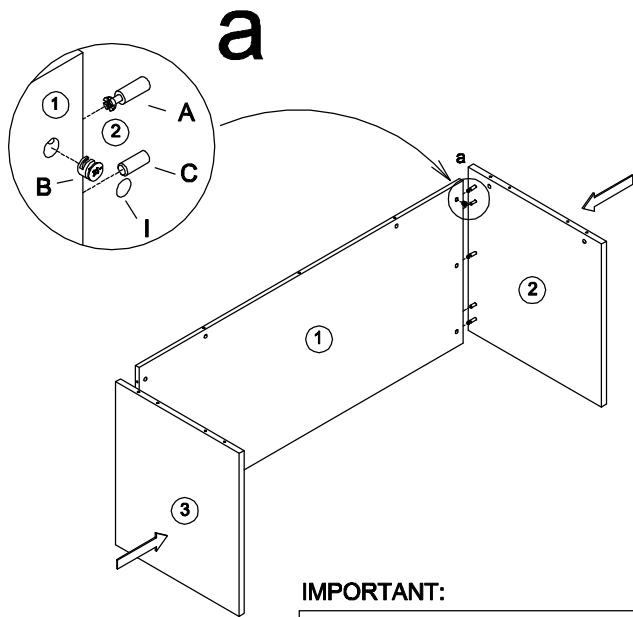
## MODEL NO.:SL4824DS

### Desk Shell

LO2/06-13

CONC10	CONC11	DOWEL	GLIDE	TUN013LB	TUN018SC	TUN015BG	PLASTIC CAP	PLASTIC CAP
<b>A</b>  Cam Lock Pin 12Pcs+2Pcs	<b>B</b>  Cam Lock 12Pcs+2Pcs	<b>C</b>  Dowel 9Pcs+2Pcs	<b>D</b>  Glide 4Pcs	<b>E</b>  L-Bracket 5Pcs	<b>F</b>  Screw #4*5/8" 30Pcs+5Pcs	<b>G</b>  Grommet 2Pcs	<b>H</b>  DEEP CAMLOCK CAP 4Pcs+1Pcs	<b>I</b>  CAMLOCK CAP 8Pcs+1Pcs

### STEP1



**IMPORTANT:**

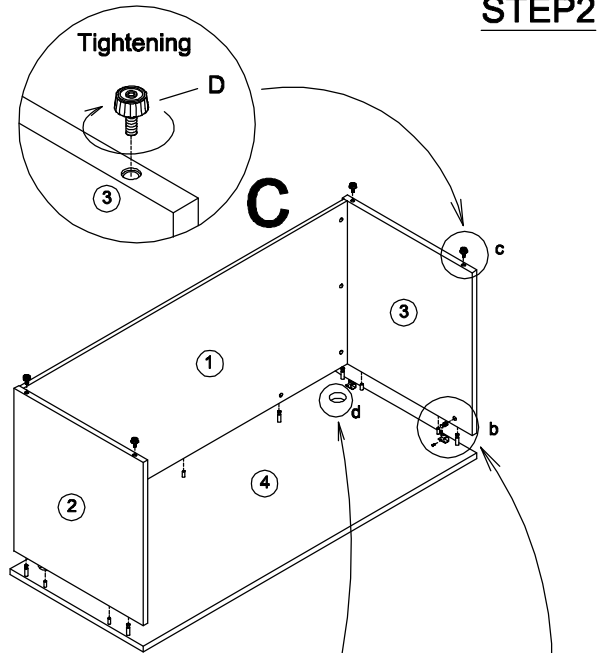
**FUNCTION OF CAM**



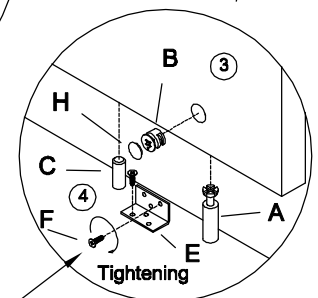
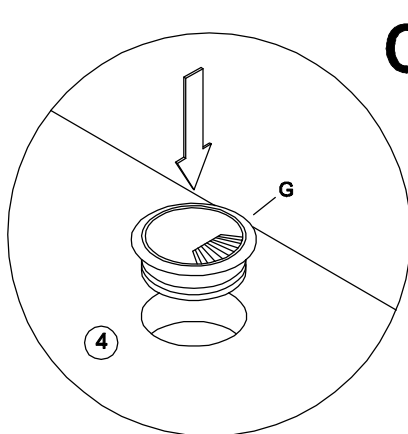
**1/4 RIGHT  
TURN FOR  
LOCKING**

MAKE SURE THE ARROW IS POINTING UPWARDS  
BEFORE INSERTING INTO THE PANEL'S HOLE.

### STEP2



NOTE: CAP 'H' INSTALL ONTO 25MM PANELS.  
CAP 'I' INSTALL ONTO 18MM PANELS.



**IMPORTANT:**  
IF INSTALLING PEDESTAL;  
BRACKETS ON END NOT REQUIRED.

### IMPORTANT NOTE:

- It is advisable to assemble unit on a carpet to avoid scratch.
- Check to be sure that you have all parts and hardware.
- Don't tighten all screws/bolts until all completely assembled.
- It is recommended to require 2 persons to complete the assembling.