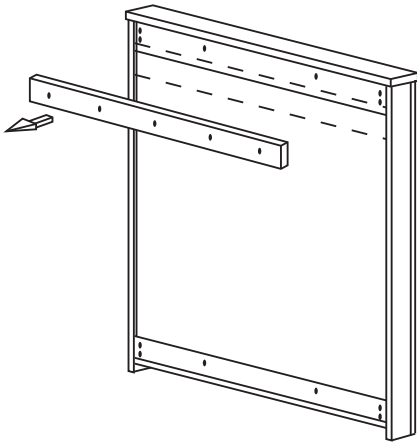
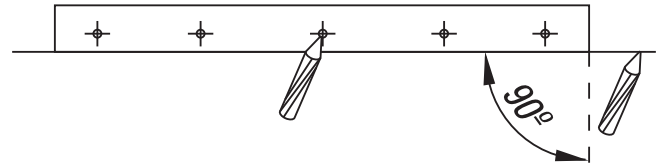


STEP 1



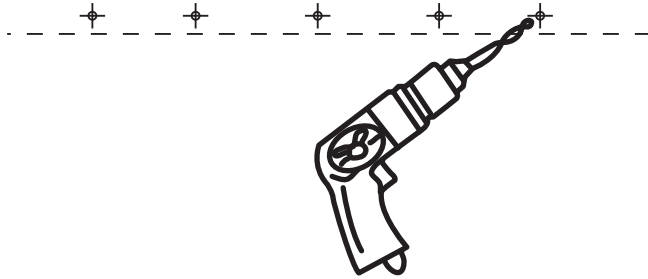
Remove "J" brackets located at the back of the unit

STEP 2



Position "J" brackets as desired height on wall. Once level, mark holes for drilling.

STEP 3

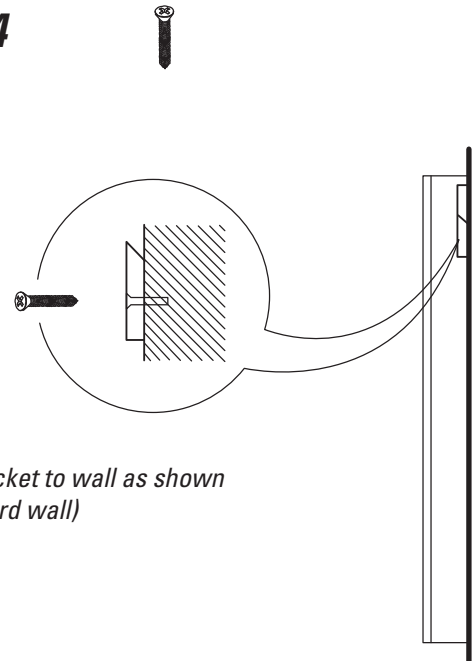


Care should be taken to mount the units. Units should be mounted to wall studs using correct fasteners. Failure to do so may result in collapse of the unit and subsequent personal injury. Mounting hardware not included. Mounting hardware used should be based on wall material. Consult an installation professional for proper wall mounting.

IMPORTANT NOTE:

- It is advisable to assemble unit on a carpet to avoid scratch.
- Check to be sure that you have all parts and hardware.
- Don't tighten all screws/bolts until all completely assembled.
- It is recommended to require 2 persons to complete the assembling.
- Attention: Please remove the Presentation Board's clear protection film before use.

STEP 4



Secure bracket to wall as shown (slope toward wall)

Lift cabinet into position and allow to rest on "J" brackets. 2 people recommended for this step.