

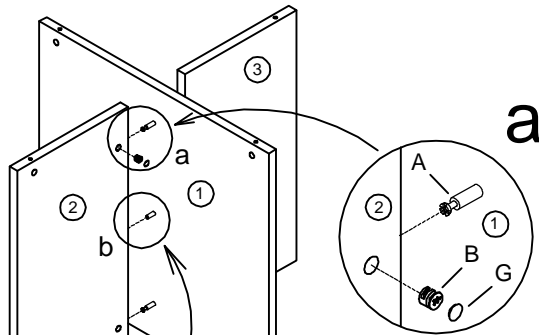


**Assembly Instructions**  
**MODEL NO.:SL48R,SL42R**  
**ROUND TABLE**

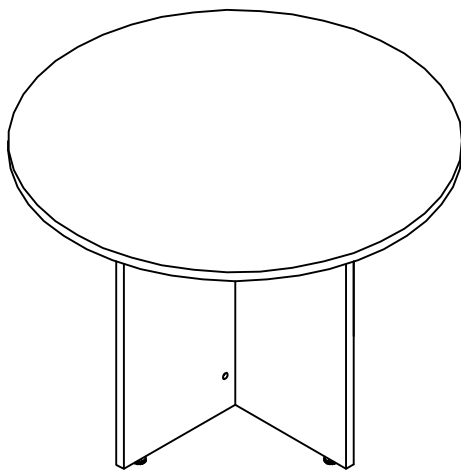
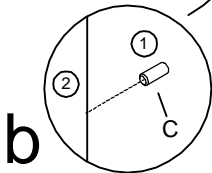
LO2/02-09

CONC10	CONC11	DOWEL	GLIDE	TUN013LB	TUN018SC	PLASTIC CAP
<b>A</b>  Cam Lock Pin 8Pcs+2Pcs	<b>B</b>  Cam Lock 8Pcs+2Pcs	<b>C</b>  Dowel 2Pcs+1Pcs	<b>D</b>  Glide 4Pcs	<b>E</b>  L-Bracket 4Pcs	<b>F</b>  Screw #4*5/8 24Pcs+5Pcs	<b>G</b>  DEEP CAMLOCK CAP 8Pcs+2Pcs

**STEP1**

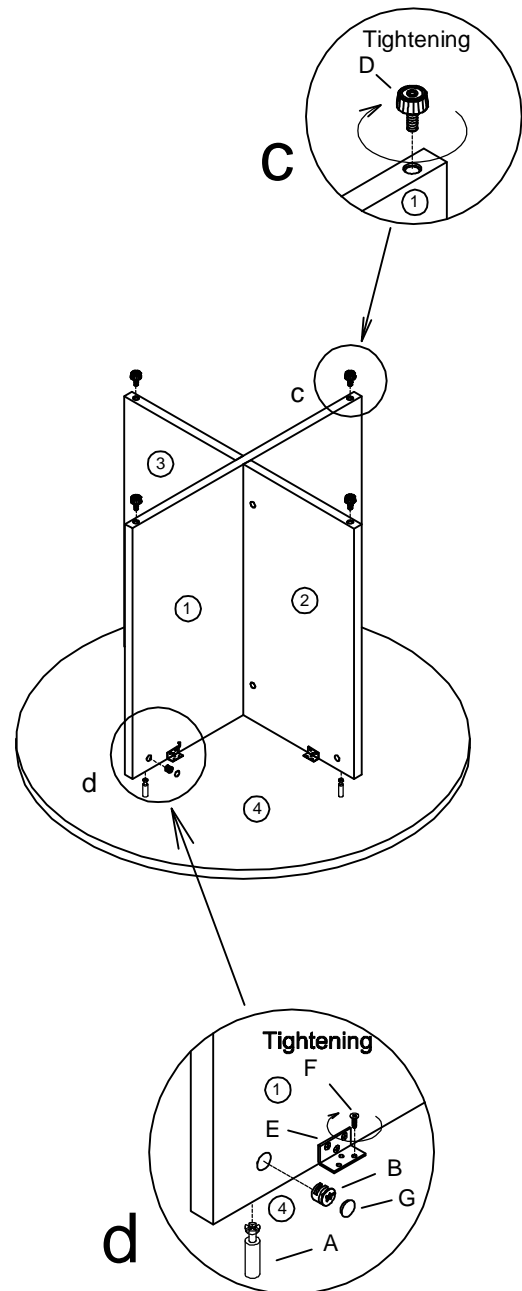


**IMPORTANT:**  
**FUNCTION OF CAM**  
  
**1/4 RIGHT TURN FOR LOCKING**  
**MAKE SURE THE ARROW IS POINTING UPWARDS BEFORE INSERTING INTO THE PANEL'S HOLE.**



**COMPLETED ASSEMBLY**

**STEP2**



**IMPORTANT NOTE:**

- It is advisable to assemble unit on a carpet to avoid scratch.
- Check to be sure that you have all parts and hardware.
- Don't tighten all screws/bolts until all completely assembled.
- It is recommended to require 2 persons to complete the assembling.