



# Assembly Instructions

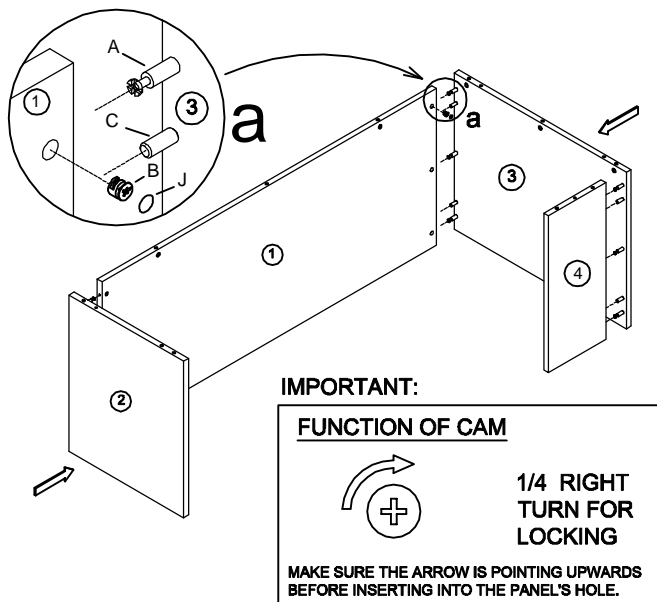
## MODEL NO.:SL7136CER

### Credenza w/Corner ext. /Right

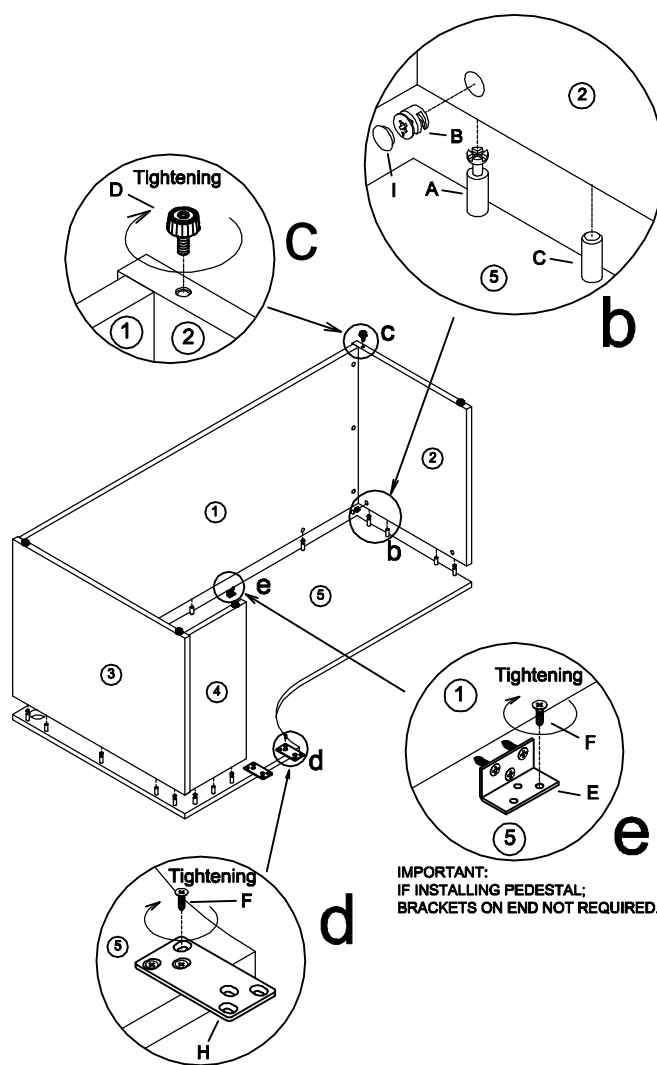
LO2/02-09

CONC10	CONC11	DOWEL	GLIDE	TUN013LB	TUN018SC	TUN015BG	FLAT BRACKET	PLASTIC CAP	PLASTIC CAP
A  Cam Lock Pin 18Pcs+2Pcs	B  Cam Lock 18Pcs+2Pcs	C  Dowel 12Pcs+2Pcs	D  Glide 5Pcs	E  L-Bracket 4Pcs	F  Screw #4*5/8 42Pcs+3Pcs	G  Grommet 1Pcs	H  Flat Bracket 2Pcs	I  DEEP CAMLOCK CAP 10Pcs+1Pcs	J  CAMLOCK CAP 8Pcs+1Pcs

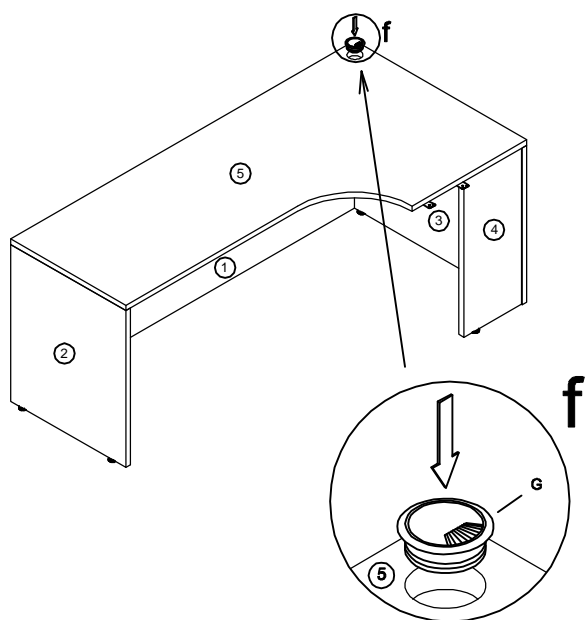
### STEP1



### STEP2



### STEP3



#### IMPORTANT NOTE:

- It is advisable to assemble unit on a carpet to avoid scratch.
- Check to be sure that you have all parts and hardware.
- Don't tighten all screws/bolts until all completely assembled.
- It is recommended to require 2 persons to complete the assembling.