



# Assembly Instructions

## MODEL NO.:SL7141BDS

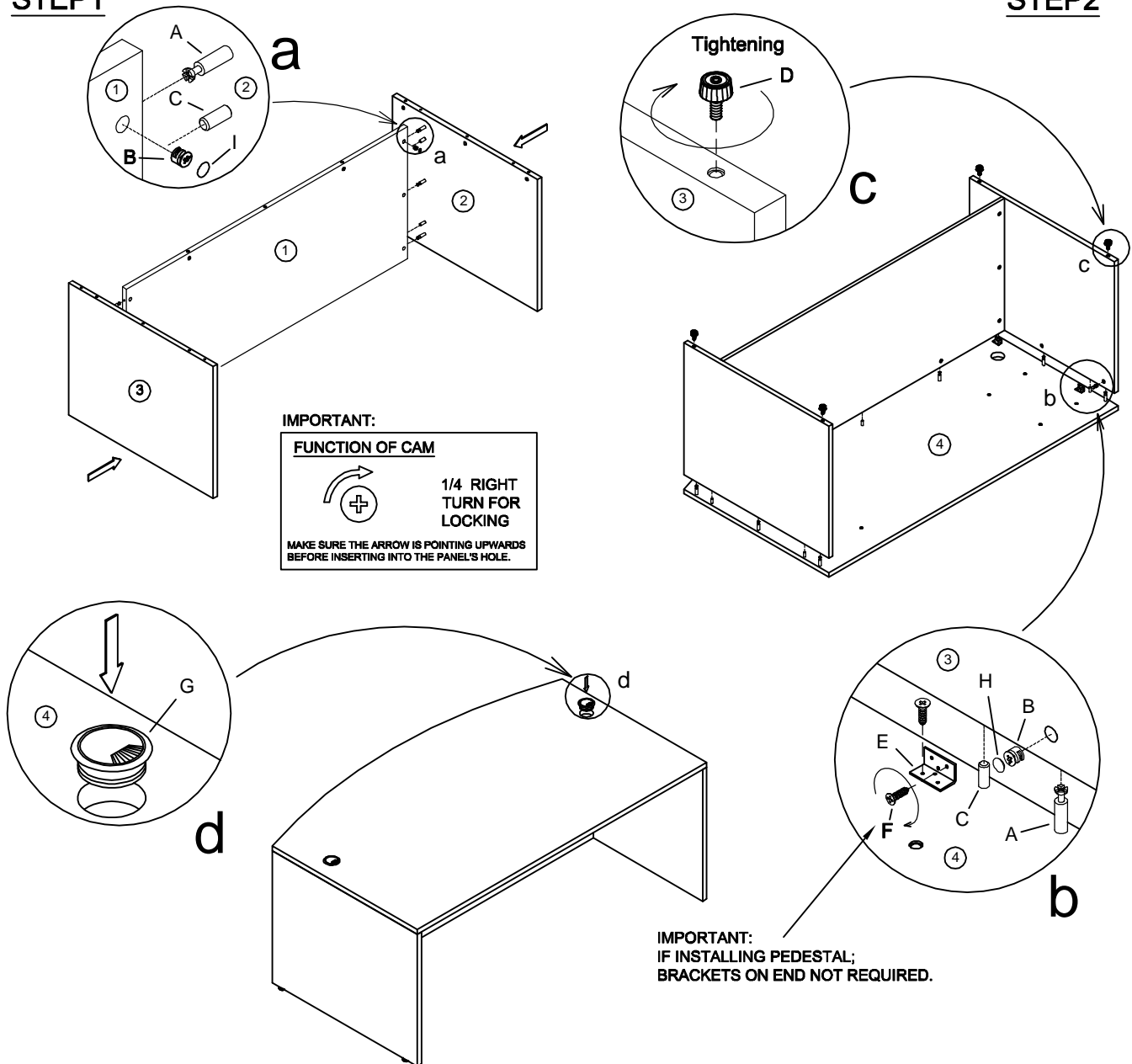
### DESK SHELLS

LO2/02-09

CONC10	CONC11	DOWEL	GLIDE	TUN013LB	TUN018SC	TUN015BG	PLASTIC CAP	PLASTIC CAP
<b>A</b>  Cam Lock Pin 14Pcs+2Pcs	<b>B</b>  Cam Lock 14Pcs+2Pcs	<b>C</b>  Dowel 9Pcs+2Pcs	<b>D</b>  Glide 4Pcs	<b>E</b>  L-Bracket 5Pcs	<b>F</b>  Screw #4*5/8" 30Pcs+5Pcs	<b>G</b>  Grommet 2Pcs	<b>H</b>  DEEP CAMLOCK CAP 6Pcs+1Pcs	<b>I</b>  CAMLOCK CAP 8Pcs+1Pcs

### STEP1

### STEP2



### IMPORTANT NOTE:

- It is advisable to assemble unit on a carpet to avoid scratch.
- Check to be sure that you have all parts and hardware.
- Don't tighten all screws/bolts until all completely assembled.
- It is recommended to require 2 persons to complete the assembling.