



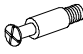






Assembly Instructions

MODEL NO.:

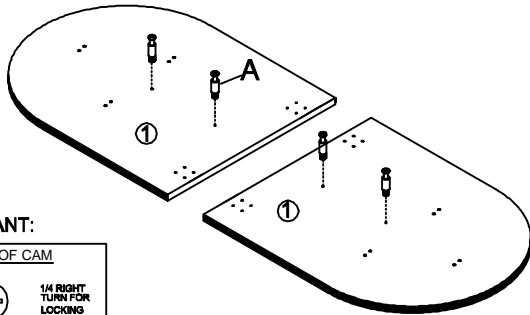
VF14448RH , VF12048RH

R/T CONFERENCE TABLE

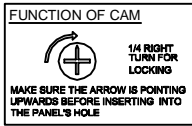
V02/10-12

CONC10	CONC11	GLIDE	TUN019SC	TUN013LB	CAM COVER	TUN019SC
A  Cam Lock Pin 8 Pcs+2Pcs	B  Cam Lock 8 Pcs+2 Pcs	C  Glide M8*25 6 Pcs	D  Flat Plate 6 Pcs	E  Screw M6*15 40 Pcs+2 Pcs	F  CamLock Sticker 8 Pcs+2 Pcs	G  Flat Plate 2 Pcs

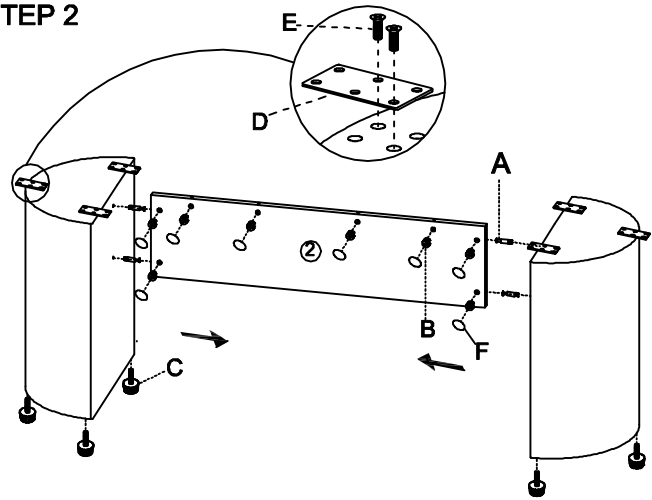
STEP 1



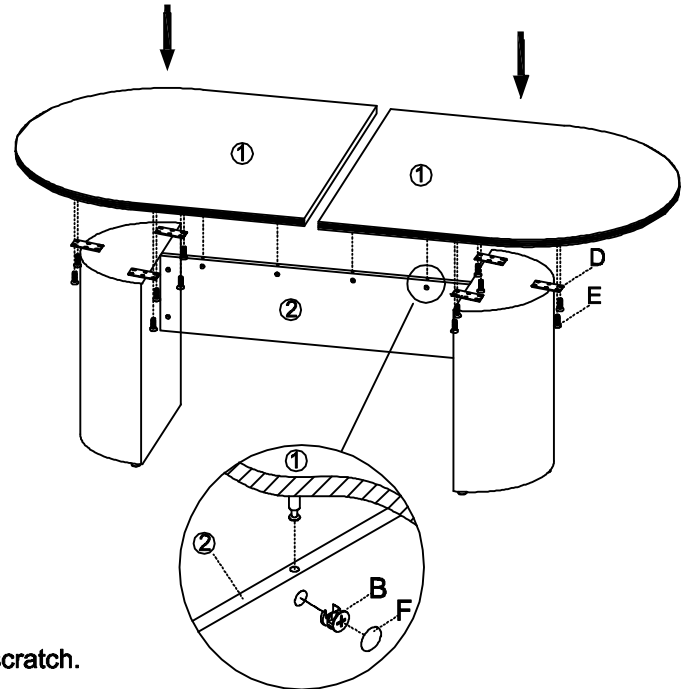
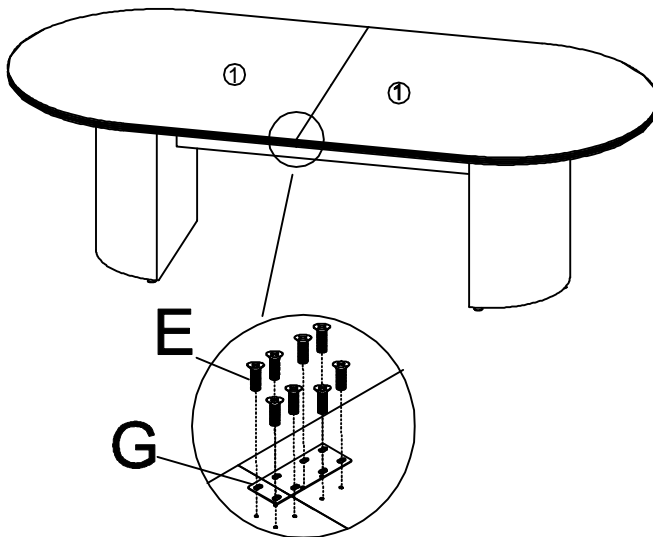
IMPORTANT:



STEP 2



STEP 3



IMPORTANT NOTE

- .It is advisable to assemble unit on a carpet to avoid scratch.
- .Check to be sure that you have all parts and hardware.
- .Don't tighten all screws/bolts until all completely assembled
- .It is recommended to require 2 persons to complete the assembling.

CARE&CLEANING

Wood Veneer Finishes: Following the direction of the grain,wipe with a soft damp cloth, then a soft dry cloth. For heavier soils, try a mild soap solution (do not use spraypolishes, solvents or products containing ammonia), then repeat the above steps.