
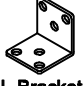



# Assembly Instructions

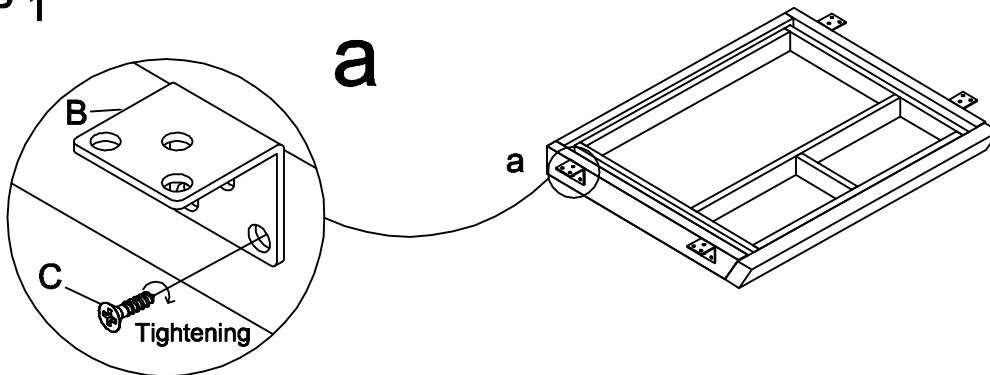
## MODEL NO.:VF20CD

### CENTER DRAWER

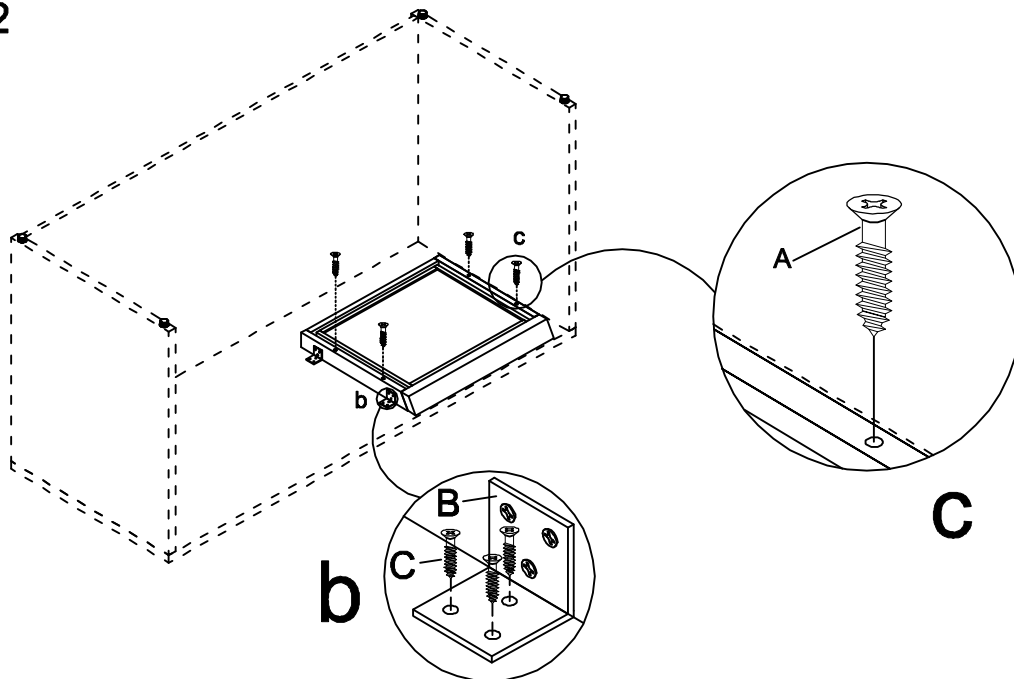
**V02/10-12**

TUN018SC	L-Bracket	TUN013LB
		
screw Ø5*68 4 Pcs+1 Pcs	L-Bracket 4 Pcs	Screw Ø3.5*16 24 Pcs+2 Pcs

### STEP 1



### STEP 2



### IMPORTANT NOTE

- .It is advisable to assemble unit on a carpet to avoid scratch.
- .Check to be sure that you have all parts and hardware.
- .Don't tighten all screws/bolts until all completely assembled
- .It is recommended to require 2 persons to complete the assembling.

### CARE&CLEANING

Wood Veneer Finishes: Following the direction of the grain,wipe with a soft damp cloth, then a soft dry cloth. For heavier soils, try a mild soap solution ( do not use spraypolishes, solvents or products containing ammonia ), then repeat the above steps.