




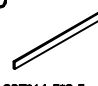




Assembly Instructions

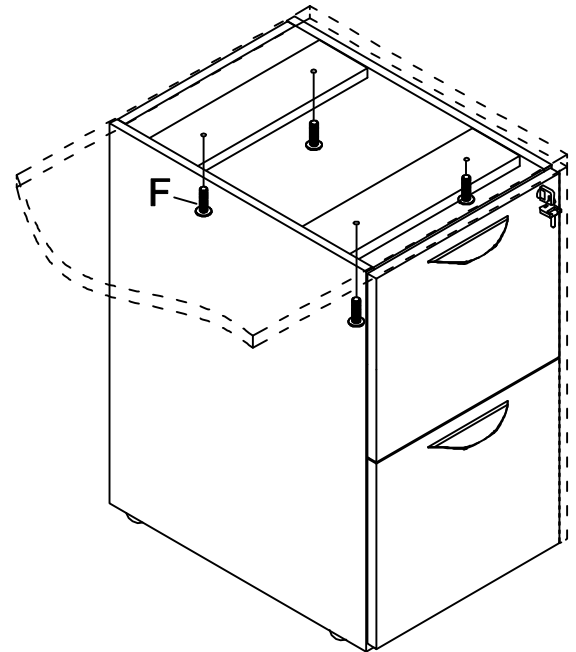
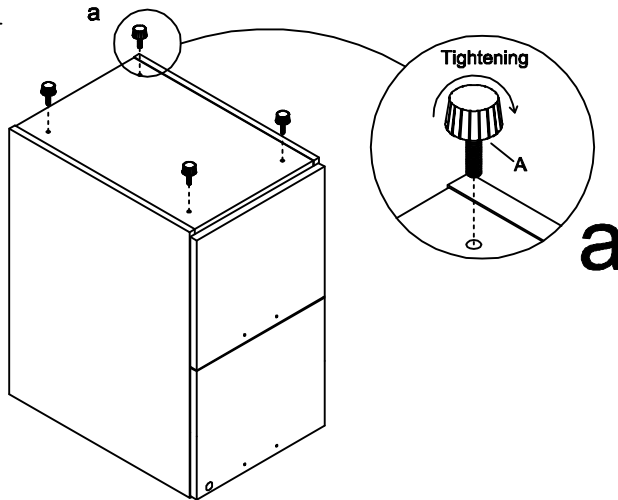
MODEL NO.:VF22FF

FILE/FILE PEDESTAL

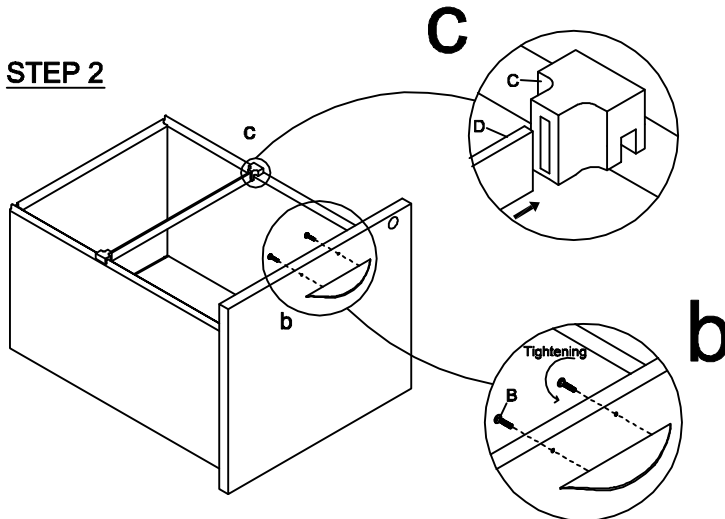
V02/10-12

GLIDE	HANDLE	TUN001FC	TUN002AB	KEYS	TUN027SC
A  Glide M6*25 4 Pcs	B  Metal Handles 96mm Screw M4*38mm 2 Sets	C  File Clips 4 Pcs	D  297*11.5*2.5 mm Aluminium Bar 2 Pcs	E  Keys 1 set	F  Screw M6*30mm 4 Pcs+1 Pcs

STEP 1



STEP 2



Remove drawers to attach to top or shell use 4(F) M6*30mm screws provided

IMPORTANT NOTE

- .It is advisable to assemble unit on a carpet to avoid scratch.
- .Check to be sure that you have all parts and hardware.
- .Don't tighten all screws/bolts until all completely assembled
- .It is recommended to require 2 persons to complete the assembling.

CARE&CLEANING

Wood Veneer Finishes: Following the direction of the grain,wipe with a soft damp cloth, then a soft dry cloth. For heavier soils, try a mild soap solution (do not use spraypolishes, solvents or products containing ammonia), then repeat the above steps.