

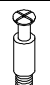

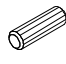




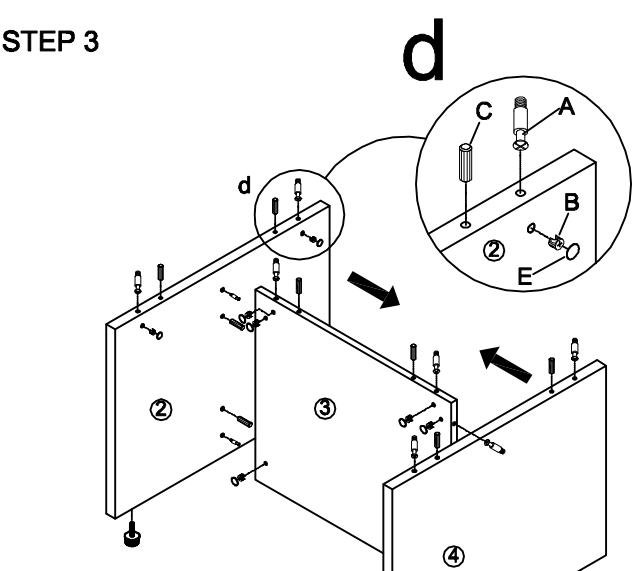
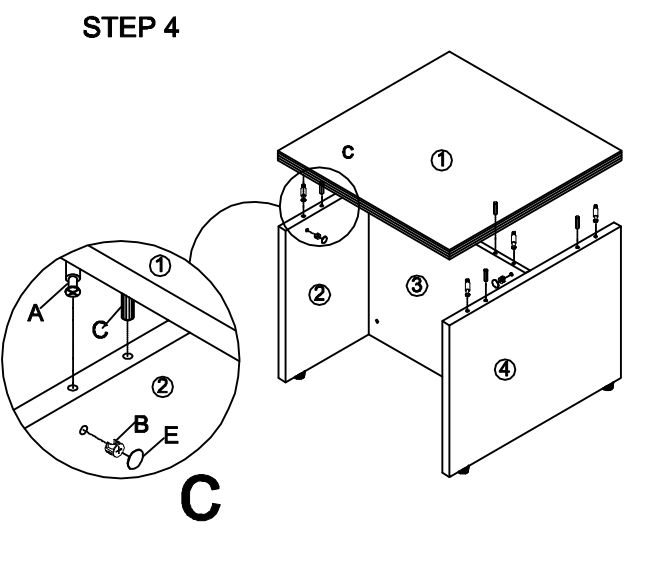
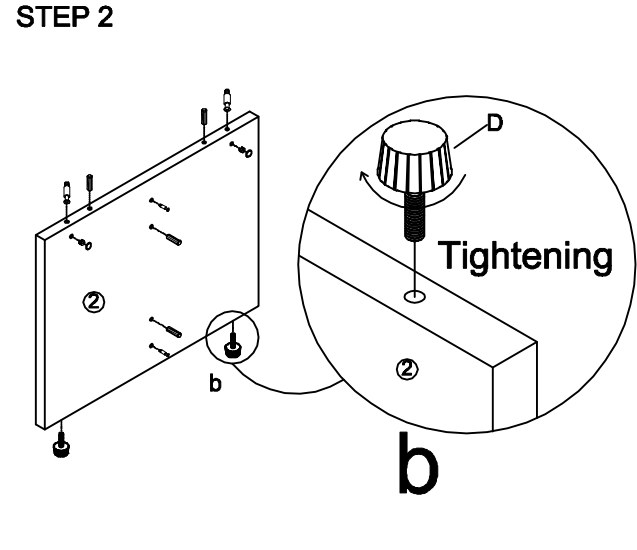
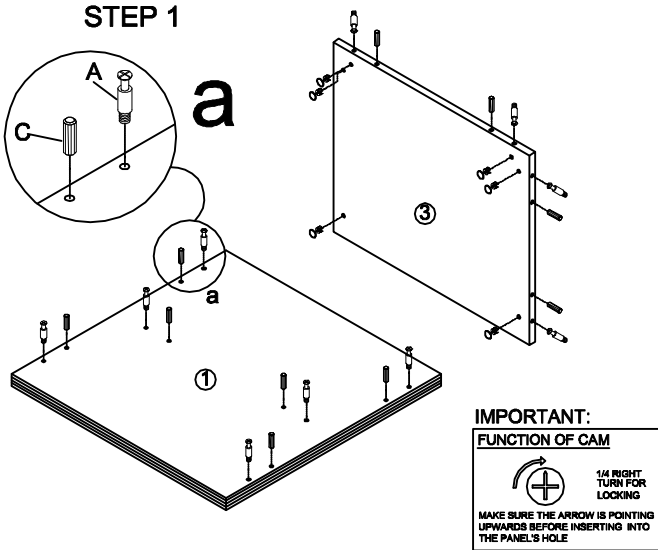
# Assembly Instructions

## MODEL NO.:VF2424ET

### END TABLE

**V02/10-12**

CONC10	CONC11	DOWEL	GLIDE	CAM COVER
<b>A</b>  Cam Lock Pin 10 Pcs+2 Pcs	<b>B</b>  Cam Lock 10 Pcs+2 Pcs	<b>C</b>  Dowel 10 Pcs+2 Pcs	<b>D</b>  Glide M8*25 4 Pcs	<b>E</b>  Cam Lock Sticker 10 Pcs+2 Pcs



### IMPORTANT NOTE

- .It is advisable to assemble unit on a carpet to avoid scratch.
- .Check to be sure that you have all parts and hardware.
- .Don't tighten all screws/bolts until all completely assembled
- .It is recommended to require 2 persons to complete the assembling.

### CARE&CLEANING

Wood Veneer Finishes: Following the direction of the grain,wipe with a soft damp cloth, then a soft dry cloth. For heavier soils, try a mild soap solution ( do not use spraypolishes, solvents or products containing ammonia ), then repeat the above steps.