








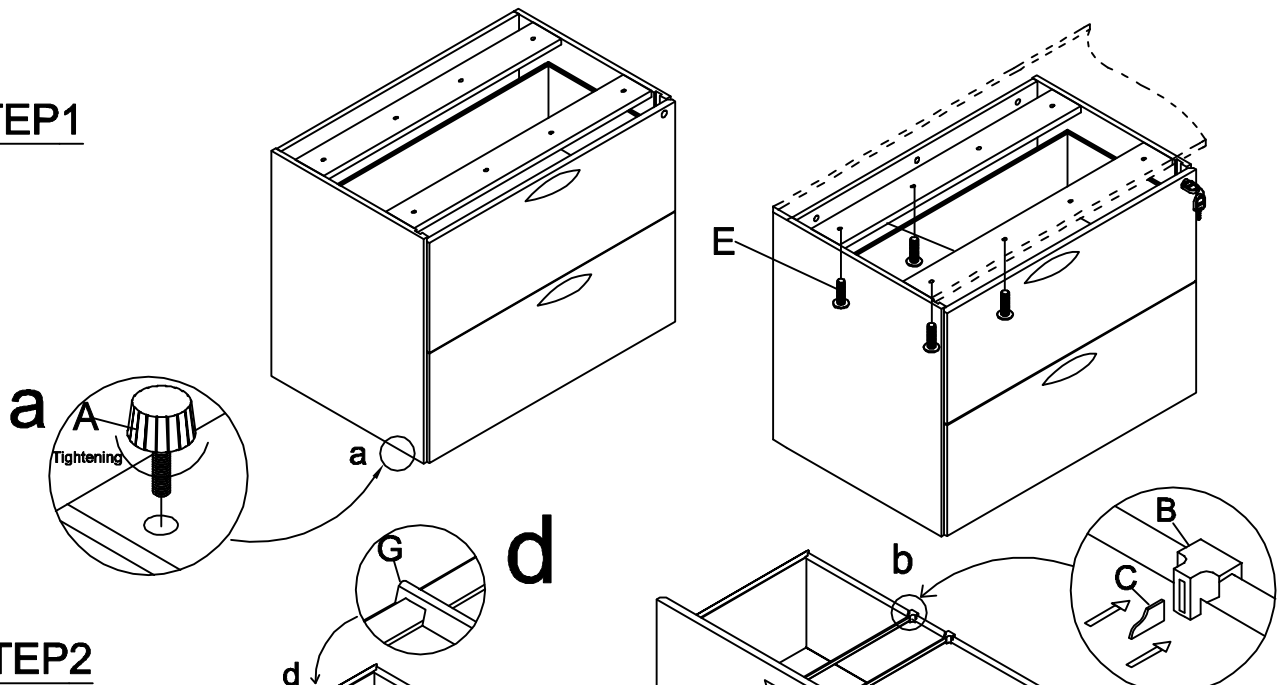


**Assembly Instructions**  
**MODEL NO.:VF3522CLF**  
**CREDENZA LATERAL FILE**

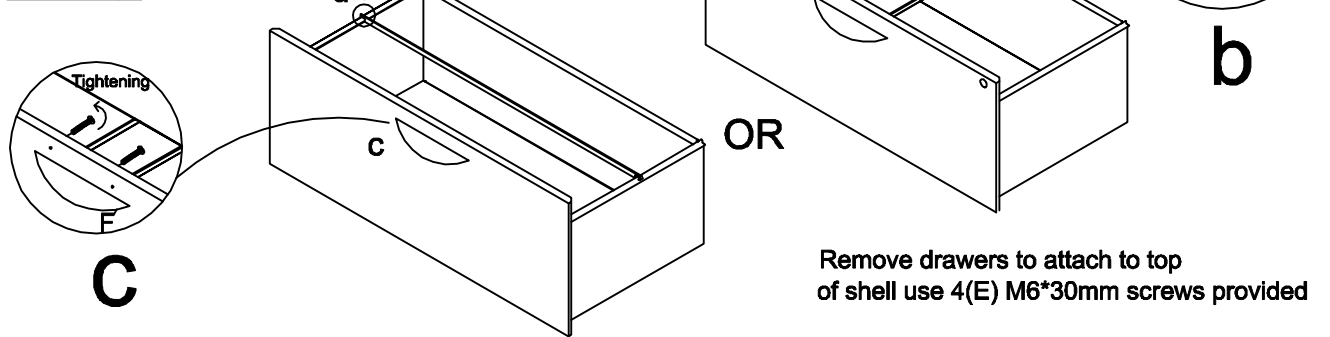
**V02/10-12**

GLIDE	TUNOO1FC	TUNOO2AB	KEYS	TUN027SC	HANDLE	TUN002AB
A  Glide M6*26 4 Pcs	B  File Clip 8 Pcs	C  368*11.5*2.5mm Aluminium Bar 4 Pcs	D  Keys 1 Set	E  Screw M6*30MM 4 Pcs+1 Pcs	F  Metal Handles 96mm Screw M4*38mm 2 Sets	G  815mm File Hanging Bar 2 Pcs

**STEP1**



**STEP2**



**IMPORTANT NOTE**

- .It is advisable to assemble unit on a carpet to avoid scratch.
- .Check to be sure that you have all parts and hardware.
- .Don't tighten all screws/bolts until all completely assembled
- .It is recommended to require 2 persons to complete the assembling.

**CARE&CLEANING**

Wood Veneer Finishes: Following the direction of the grain,wipe with a soft damp cloth, then a soft dry cloth. For heavier soils, try a mild soap solution ( do not use spraypolishes, solvents or products containing ammonia ), then repeat the above steps.