



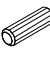











# Assembly Instructions

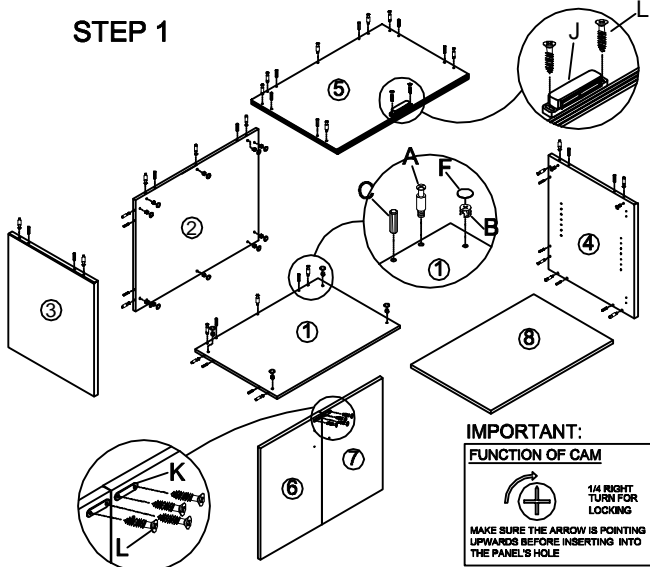
## MODEL NO.:VF3624SC

### TWO DOOR STORAGE CABINET

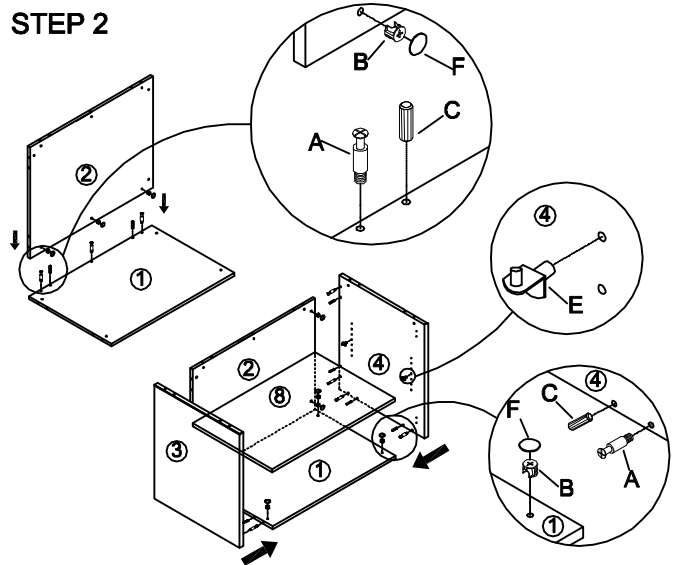
V02/10-12

CONC10	CONC11	DOWEL	GLIDE	SHELF PIN	CAM COVER	HANDLE	HINGE	TUN013LB	MAGNET	MAGNET CATCH	TUN013LB
<b>A</b>  Cam Lock Pin 18 Pcs+2 Pcs	<b>B</b>  Cam Lock 18 Pcs+2 Pcs	<b>C</b>  Dowel 16 Pcs+2 Pcs	<b>D</b>  Glide M8*25 4 Pcs	<b>E</b>  Shelf Pin 4 Pcs+2 Pcs	<b>F</b>  Cam Lock Sticker 18 Pcs+2 Pcs	<b>G</b>  Metal Handles 96mm Screw M4*24mm 2 Sets	<b>H</b>  Hinge 4 Pcs	<b>I</b>  Screw Ø4*16 16 Pcs+2 Pcs	<b>J</b>  Magnet 1 Pcs	<b>K</b>  Magnet Catch 2 Pcs	<b>L</b>  Screw Ø3*14 6 Pcs+2 Pcs

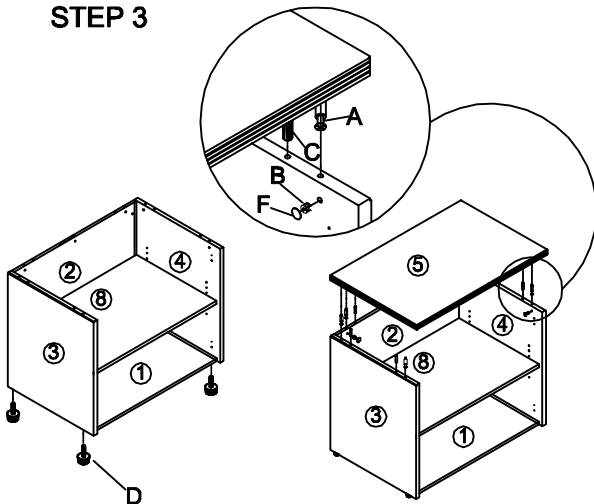
#### STEP 1



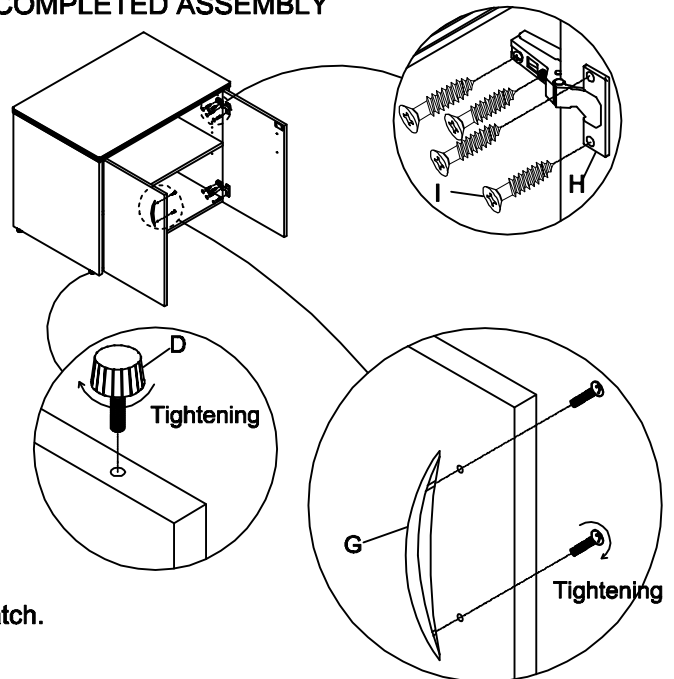
#### STEP 2



#### STEP 3



#### COMPLETED ASSEMBLY



### IMPORTANT NOTE

- .It is advisable to assemble unit on a carpet to avoid scratch.
- .Check to be sure that you have all parts and hardware.
- .Don't tighten all screws/bolts until all completely assembled
- .It is recommended to require 2 persons to complete the assembling.

### CARE&CLEANING

Wood Veneer Finishes: Following the direction of the grain,wipe with a soft damp cloth, then a soft dry cloth. For heavier soils, try a mild soap solution ( do not use spraypolishes, solvents or products containing ammonia ), then repeat the above steps.