



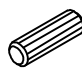







# Assembly Instructions

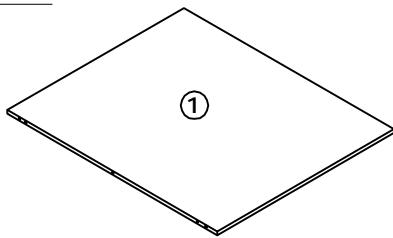
## MODEL NO.:VF36HO

### OPEN HUTCH

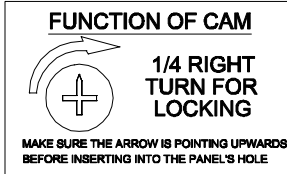
**V02/10-12**

CONC10	CONC11	DOWEL	SHELF PIN	CAM COVER	FLANNEL	TUN013LB	TUN013SC
<b>A</b>  Cam Lock Pin 13 Pcs+2 Pcs	<b>B</b>  Cam Lock 13 Pcs+2 Pcs	<b>C</b>  Dowel 10 PCS+2 PCS	<b>D</b>  Shelf Pin 8 PCS+2 PCS	<b>E</b>  CAMLOCK STICKER 13 PCS+2 PCS	<b>F</b>  Black EVA 2 Pcs	<b>G</b>  L-Bracket 2 PCS	<b>H</b>  Screw Ø3.5*16 10 Pcs+2 Pcs

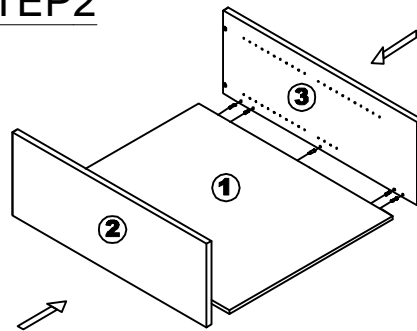
### STEP1



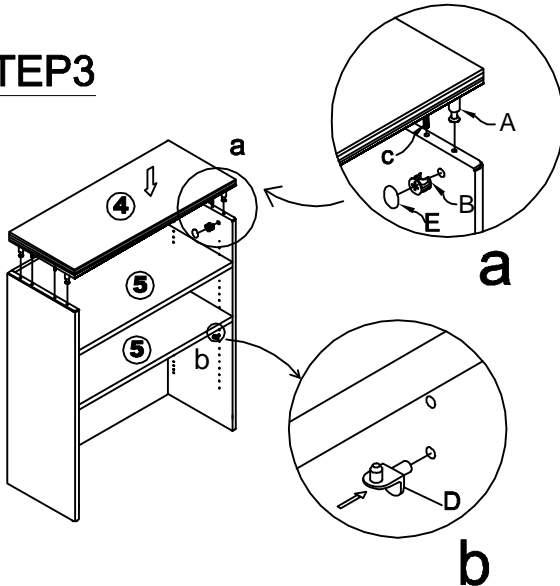
**IMPORTANT:**



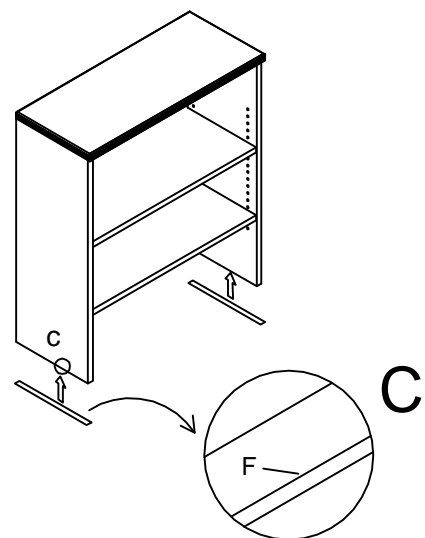
### STEP2



### STEP3



### COMPLETED ASSEMBLY



### IMPORTANT NOTE

- .It is advisable to assemble unit on a carpet to avoid scratch.
- .Check to be sure that you have all parts and hardware.
- .Don't tighten all screws/bolts until all completely assembled
- .It is recommended to require 2 persons to complete the assembling.

### CARE & CLEANING

Wood Veneer Finishes: Following the direction of the grain ,wipe with a soft damp cloth ,then a soft dry cloth. For heavier soils, try a mild soap solution (do not use spray polishes, solvents or products containing ammonia), then repeat the above steps.