









Assembly Instructions

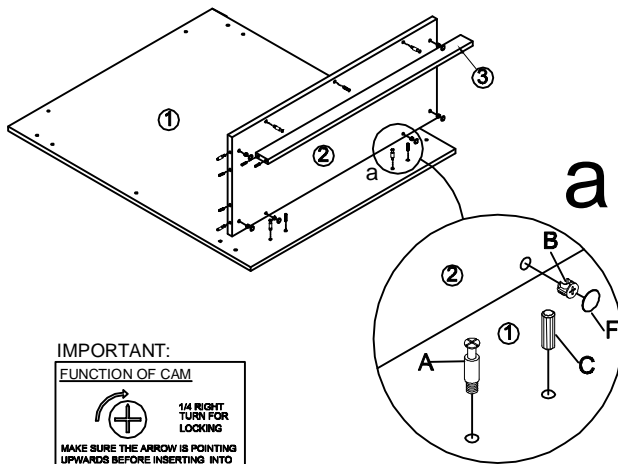
MODEL NO.:VF42BC

BOOKCASE


V02/10-12

CONC10	CONC11	DOWEL	GLIAE	TUNO2OSD	CAM COVER
A  Cam LOCK Pin 20 Pcs+2 Pcs	B  Cam Lock 20 Pcs+2 Pcs	C  Dowel 21 Pcs+2 Pcs	D  Glide M8*25 4 Pcs	E  Shelf Pin 8 Pcs+2 Pcs	F  CAM COVER 20 Pcs+2 Pcs

STEP 1

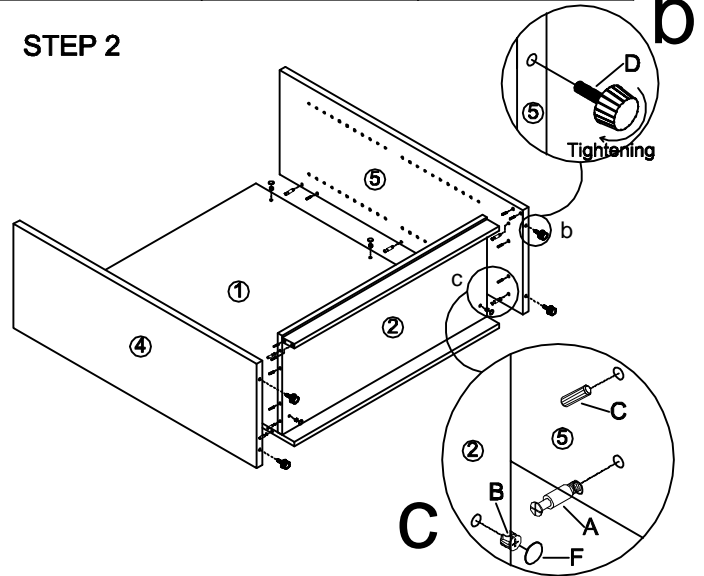


IMPORTANT:
FUNCTION OF CAM

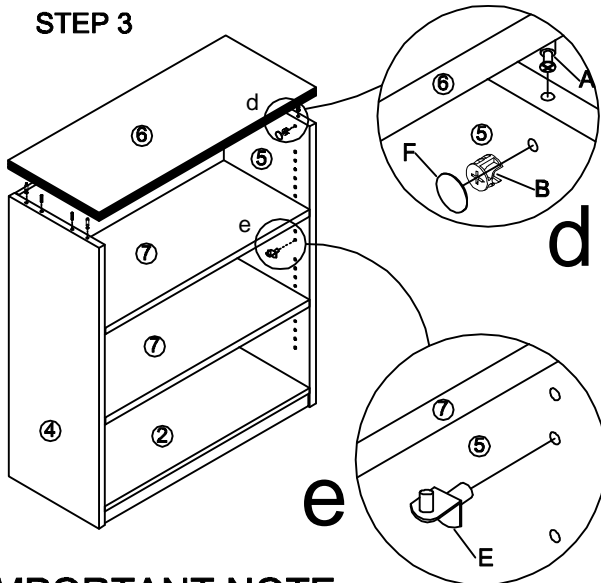


1/4 RIGHT TURN FOR LOCKING
 MAKE SURE THE ARROW IS POINTING UPWARDS BEFORE INSERTING INTO THE PANEL'S HOLE

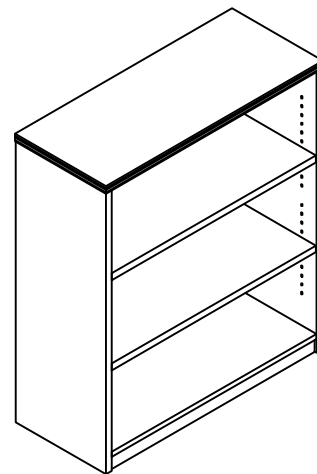
STEP 2



STEP 3



COMPLETED ASSEMBLY



IMPORTANT NOTE

- .It is advisable to assemble unit on a carpet to avoid scratch.
- .Check to be sure that you have all parts and hardware.
- .Don't tighten all screws/bolts until all completely assembled
- .It is recommended to require 2 persons to complete the assembling.

CARE&CLEANING

Wood Veneer Finishes: Following the direction of the grain,wipe with a soft damp cloth, then a soft dry cloth. For heavier soils, try a mild soap solution (do not use spraypolishes, solvents or products containing ammonia), then repeat the above steps.