



# Assembly Instructions

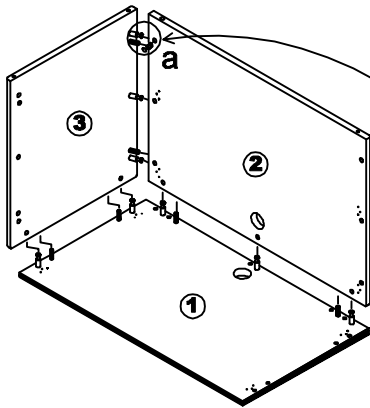
## MODEL NO.:VF4824R,VF4224R

### RETURN-RIGHT/LEFT

**V02/10-12**

CONC10	CONC11	DOWEL	GLIDE	TUN018SC	TUN015BG	TUN01918	CAM COVER	L-Bracket	TUN018LB
<b>A</b>  Cam Lock Pin 8 Pcs+2 Pcs	<b>B</b>  Cam Lock 8 Pcs+2 Pcs	<b>C</b>  Dowel 6 Pcs+2 Pcs	<b>D</b>  Glide M8*25 4 Pcs	<b>E</b>  Screw Ø4*20 24 Pcs+2 Pcs	<b>F</b>  Grommet 2 Pcs	<b>G</b>  Flat Bracket 4 Pcs	<b>H</b>  Cam Lock Sticker 16 Pcs+2 Pcs	<b>I</b>  L-Bracket 4 Pcs	<b>J</b>  Screw Ø3.5*16 24 Pcs

### STEP1

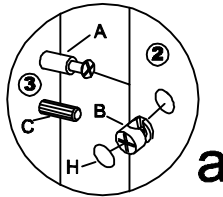


**IMPORTANT:**

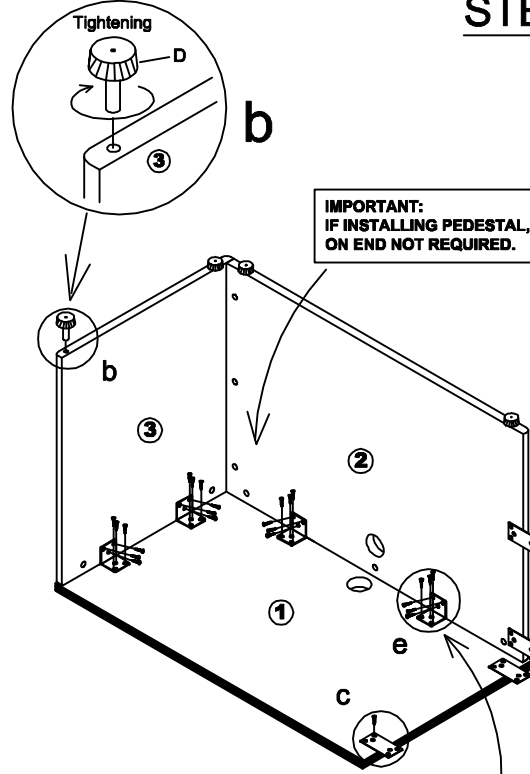
**FUNCTION OF CAM**



MAKE SURE THE ARROW IS POINTING UPWARDS BEFORE INSERTING INTO THE PANEL'S HOLE

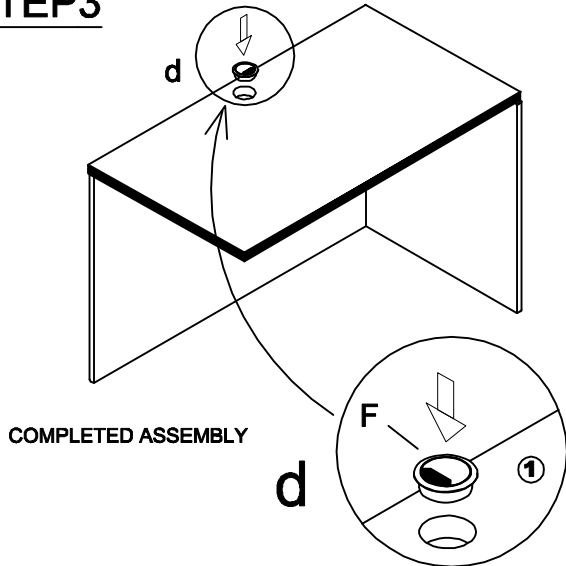


### STEP2



**IMPORTANT:**  
IF INSTALLING PEDESTAL, BRACKETS ON END NOT REQUIRED.

### STEP3



COMPLETED ASSEMBLY

### IMPORTANT NOTE

- .It is advisable to assemble unit on a carpet to avoid scratch.
- .Check to be sure that you have all parts and hardware.
- .Don't tighten all screws/bolts until all completely assembled
- .It is recommended to require 2 persons to complete the assembling.

### CARE&CLEANING

Wood Veneer Finishes: Following the direction of the grain,wipe with a soft damp cloth, then a soft dry cloth. For heavier soils, try a mild soap solution ( do not use spraypolishes, solvents or products containing ammonia ), then repeat the above steps.