



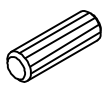





Assembly Instructions

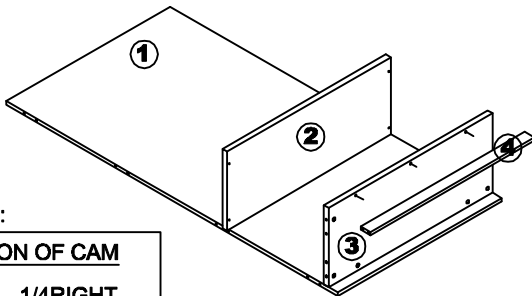
MODEL NO.:VF70BC

BOOKCASE

V02/10-12

| CONC10 | CONC11 | DOWEL | GLIDE | SHELF PIN | CAM COVER |
|---|---|--|---|--|---|
| A  Cam LOCK Pin 28 Pcs+2 Pcs | B  Cam Lock 28 Pcs+2 Pcs | C  Dowel 31 Pcs+2 Pcs | D  Glide M8*25 4 Pcs | E  Shelf Pin 12 Pcs+2 Pcs | F  Cam Lock Sticker 28 Pcs+2 Pcs |

STEP1



IMPORTANT:

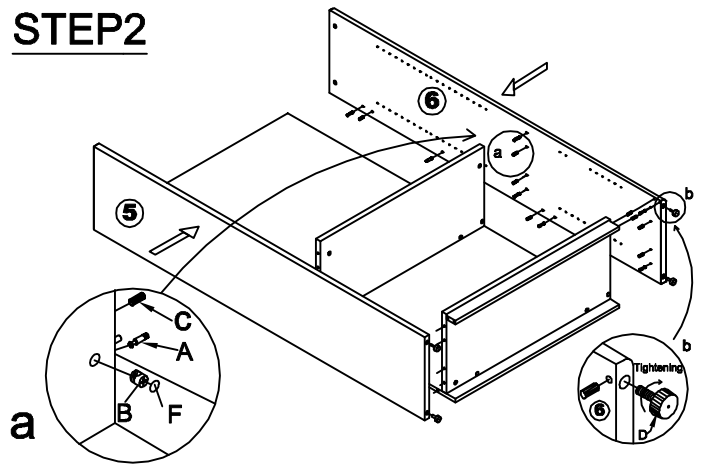
FUNCTION OF CAM



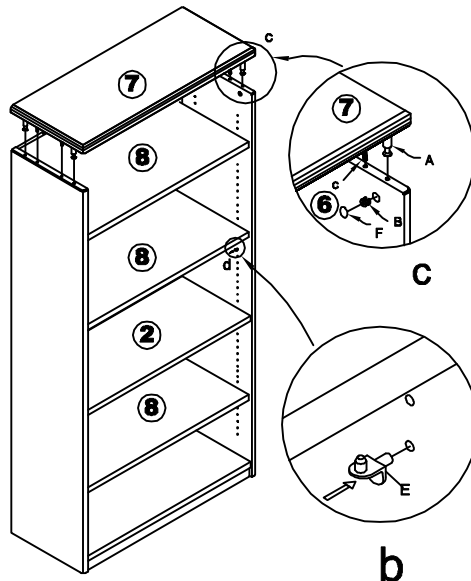
1/4RIGHT
TURN FOR
LOCKING

MAKE SURE THE ARROW IS POINTING UPWARDS
BEFORE INSERTING INTO THE PANEL'S HOLE

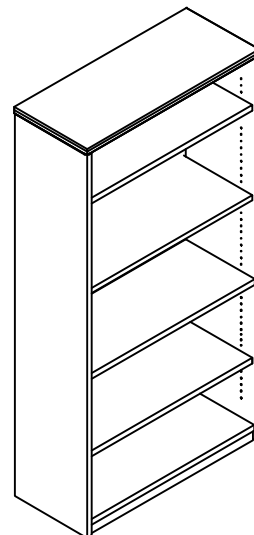
STEP2



STEP3



COMPLETED ASSEMBLY



IMPORTANT NOTE

- .It is advisable to assemble unit on a carpet to avoid scratch.
- .Check to be sure that you have all parts and hardware.
- .Don't tighten all screws/bolts until all completely assembled
- .It is recommended to require 2 persons to complete the assembling.

CARE & CLEANING

Wood Veneer Finishes:Following the direction of the grain ,wipe with a soft damp cloth ,then a soft dry cloth.For heavier soils,try a mild soap solution(do not use spray polishes,solvents or products containing ammonia),then repeat the above steps.