



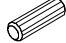







Assembly Instructions

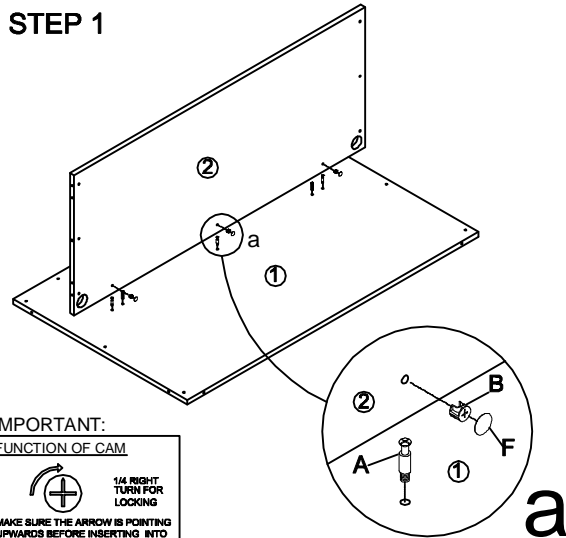
MODEL NO.:VF7230RDS

GALLERY DESK


V02/10-12

CONC10	CONC11	DOWEL	GLIDE	TUN015BG	CAM COVER	L-Bracket	TUN013LB
A  Cam Lock Pin 22 Pcs+2 Pcs	B  Cam Lock 22 Pcs+2 Pcs	C  Dowel 16 Pcs+2 Pcs	D  Glide M8*25mm 6 Pcs	E  Grommet 2 Pcs	F  Cam Lock Sticker 22 Pcs+2 Pcs	G  L-Bracket 4 Pcs	H  Screw Ø3.5*16 24 Pcs

STEP 1

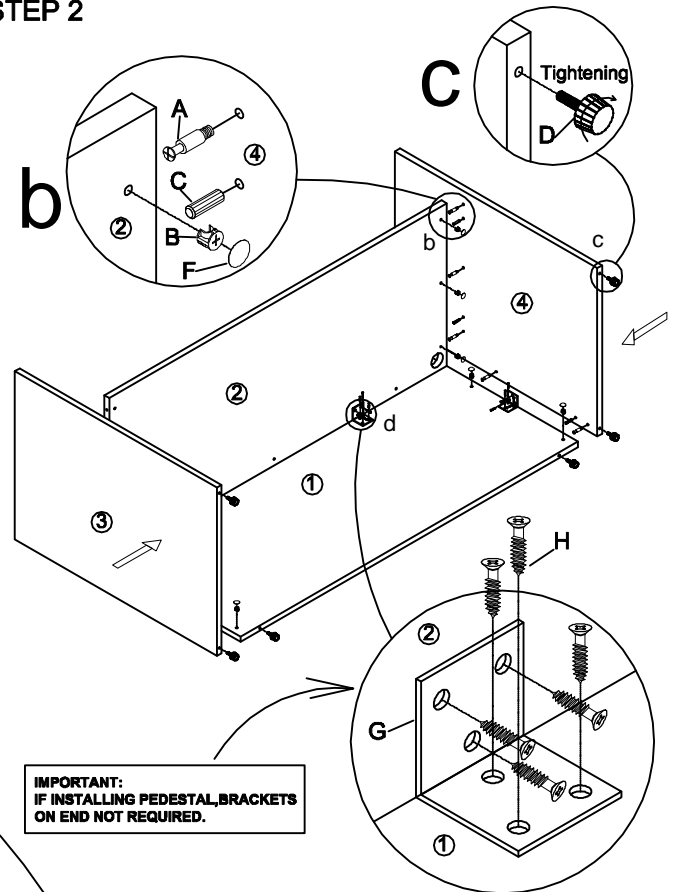


IMPORTANT:
FUNCTION OF CAM.



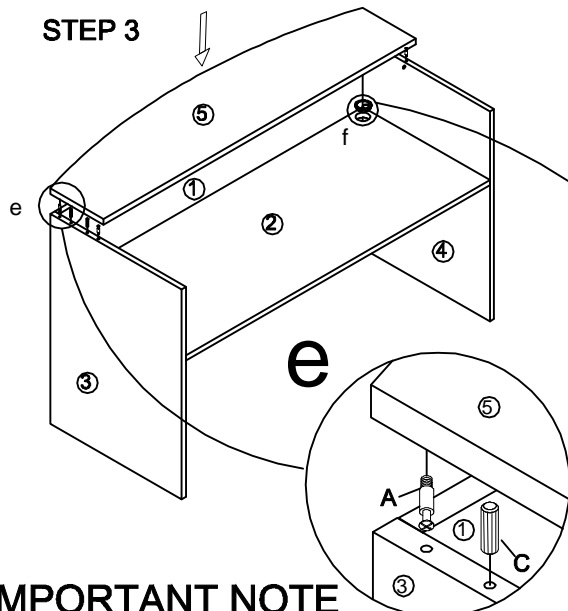
1/4 RIGHT TURN FOR LOCKING
MAKE SURE THE ARROW IS POINTING UPWARDS BEFORE INSERTING INTO THE PANEL'S HOLE

STEP 2



IMPORTANT:
IF INSTALLING PEDESTAL BRACKETS ON END NOT REQUIRED.

STEP 3



IMPORTANT NOTE

- .It is advisable to assemble unit on a carpet to avoid scratch.
- .Check to be sure that you have all parts and hardware.
- .Don't tighten all screws/bolts until all completely assembled
- .It is recommended to require 2 persons to complete the assembling.

CARE&CLEANING

Wood Veneer Finishes: Following the direction of the grain,wipe with a soft damp cloth, then a soft dry cloth. For heavier soils, try a mild soap solution (do not use spraypolishes, solvents or products containing ammonia), then repeat the above steps.