



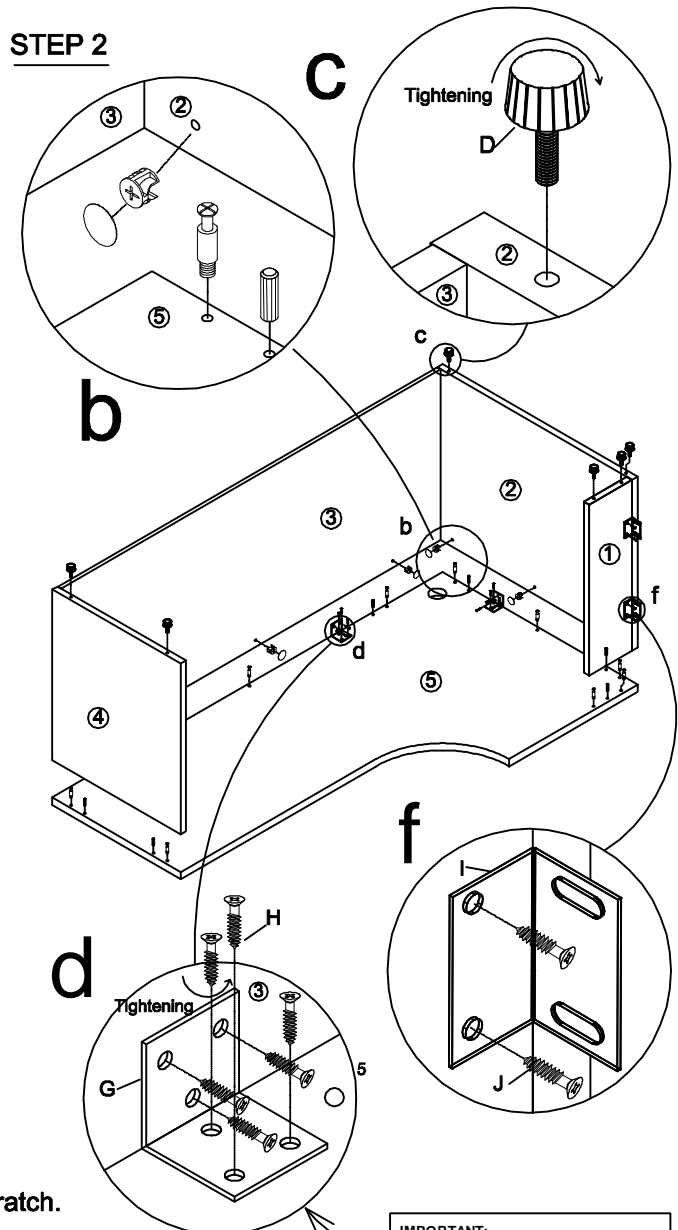
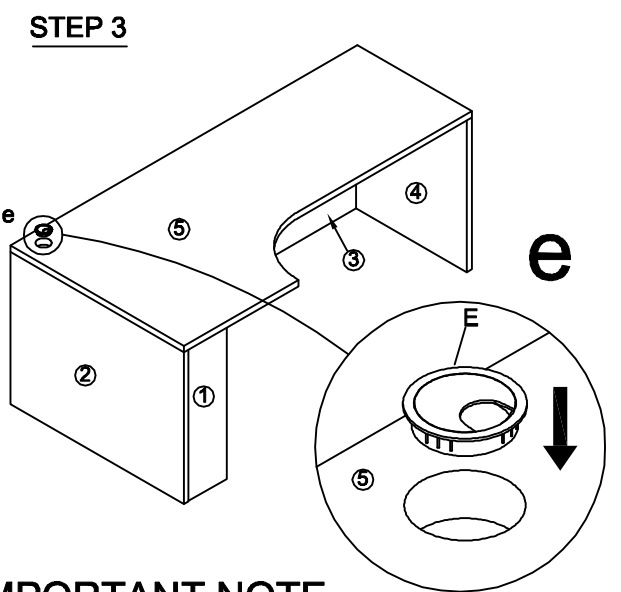
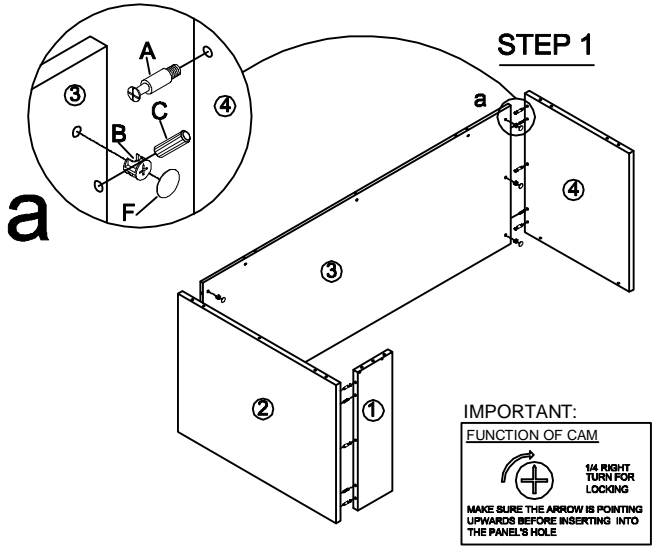
Assembly Instructions

MODEL NO.:VF7236CEL

Credenza w/Corner ext./Left

V02/10-12

CONC10	CONC11	DOWEL	GLIDE	TUN015BG	CAM COVER	L-Bracket	TUN013LB	L-Bracket	TUN013LB
A 	B 	C 	D 	E 	F 	G 	H 	I 	J
Cam Lock Pin 18 Pcs+2 Pcs	Cam Lock 18 Pcs+2 Pcs	Dowel 13 Pcs+2 Pcs	Glide MB*25 6 Pcs	Grommet 1 Pcs	Cam Lock Sticker 18 Pcs+2 Pcs	L-Bracket 4 Pcs	Screw Ø3.5*16 24 Pcs	L-Bracket 2 Pcs	Screw Ø4*20 8 Pcs+2 Pcs



IMPORTANT NOTE

- .It is advisable to assemble unit on a carpet to avoid scratch.
- .Check to be sure that you have all parts and hardware.
- .Don't tighten all screws/bolts until all completely assembled
- .It is recommended to require 2 persons to complete the assembling.

CARE&CLEANING

Wood Veneer Finishes: Following the direction of the grain,wipe with a soft damp cloth, then a soft dry cloth. For heavier soils, try a mild soap solution (do not use spraypolishes, solvents or products containing ammonia), then repeat the above steps.

IMPORTANT:
IF INSTALLING PEDESTAL,BRACKETS ON END NOT REQUIRED.