



Assembly Instructions

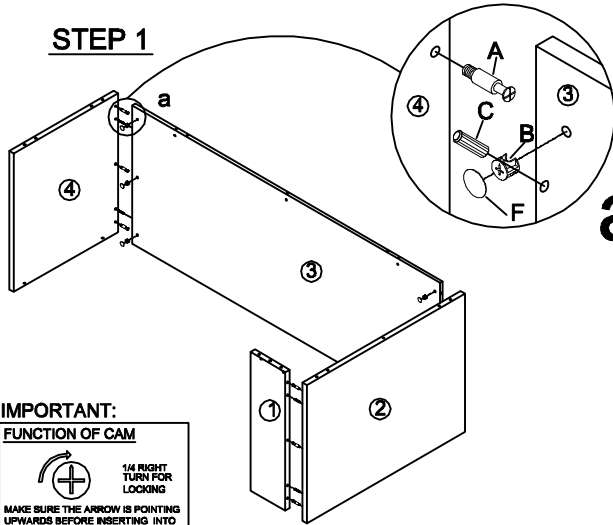
MODEL NO.:VF7236CER

Credenza w/Corner ext./Right

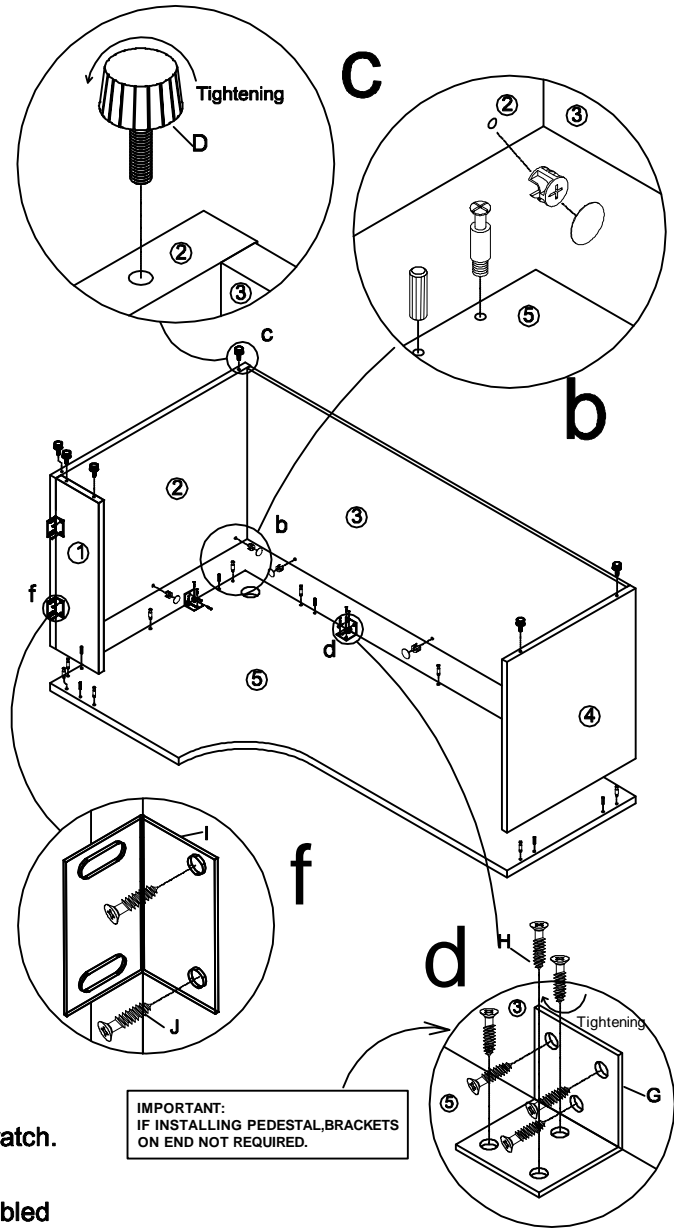
V02/10-12

CONC10	CONC11	DOWEL	GLIDE	TUN015BG	CAM COVER	L-Bracket	TUN013LB	L-Bracket	TUN013LB
A 	B 	C 	D 	E 	F 	G 	H 	I 	J
Cam Lock Pin 18 Pcs+2 Pcs	Cam Lock 18 Pcs+2 Pcs	Dowel 13 Pcs+2 Pcs	Glide M8*25mm 6 Pcs	Grommet 1 Pcs	CamLock Sticker 18 Pcs+2 Pcs	L-Bracket 4 Pcs	Screw $\phi 3.5 \times 16$ 24 Pcs	L-Bracket 2 Pcs	Screw $\phi 4 \times 20$ 8 Pcs+2 Pcs

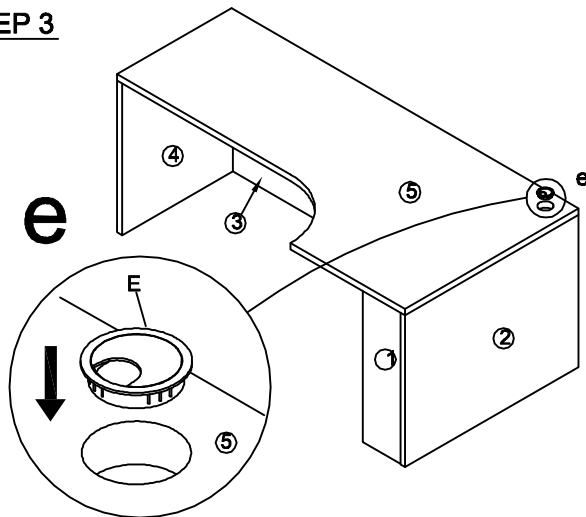
STEP 1



STEP 2



STEP 3



IMPORTANT NOTE

- .It is advisable to assemble unit on a carpet to avoid scratch.
- .Check to be sure that you have all parts and hardware.
- .Don't tighten all screws/bolts until all completely assembled
- .It is recommended to require 2 persons to complete the assembling.

CARE&CLEANING

Wood Veneer Finishes: Following the direction of the grain,wipe with a soft damp cloth, then a soft dry cloth. For heavier soils, try a mild soap solution (do not use spraypolishes, solvents or products containing ammonia), then repeat the above steps.