



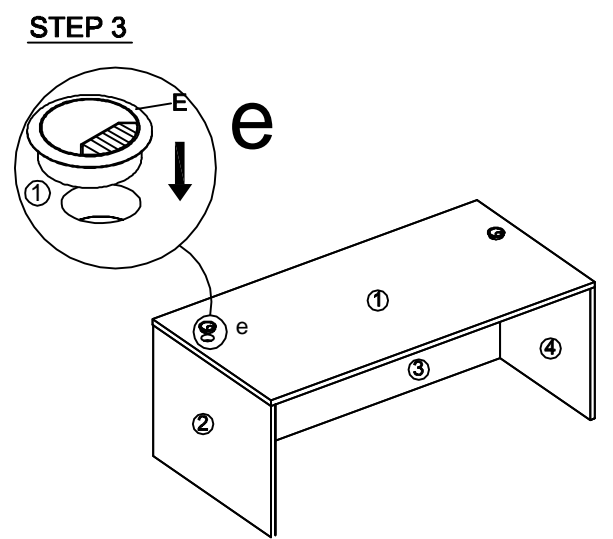
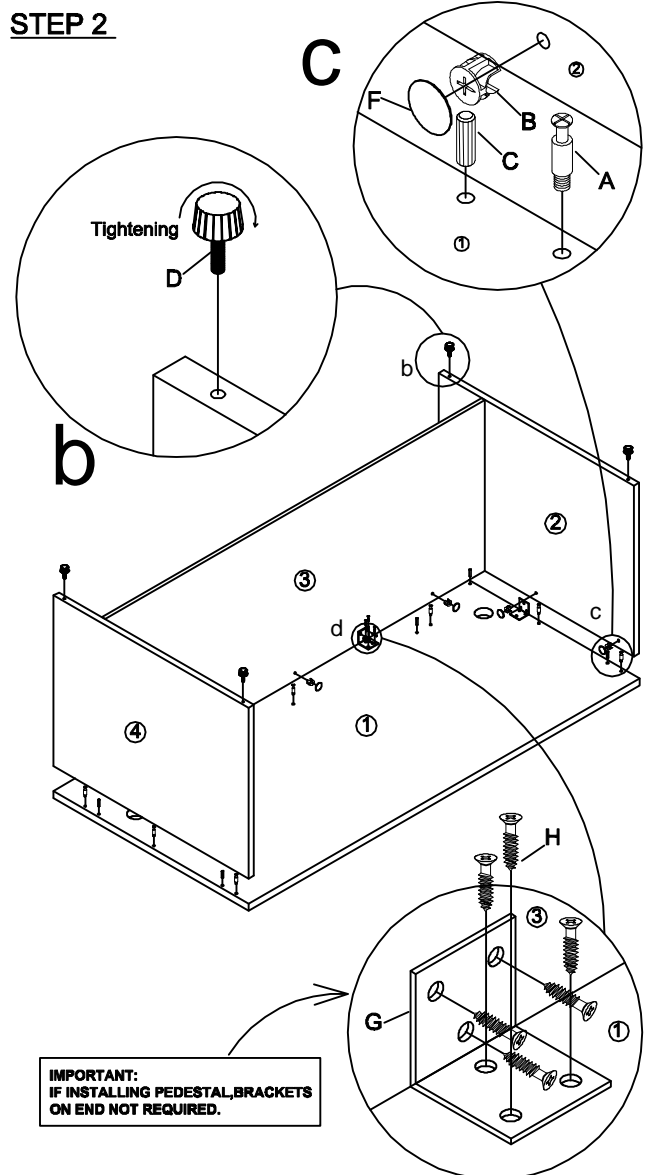
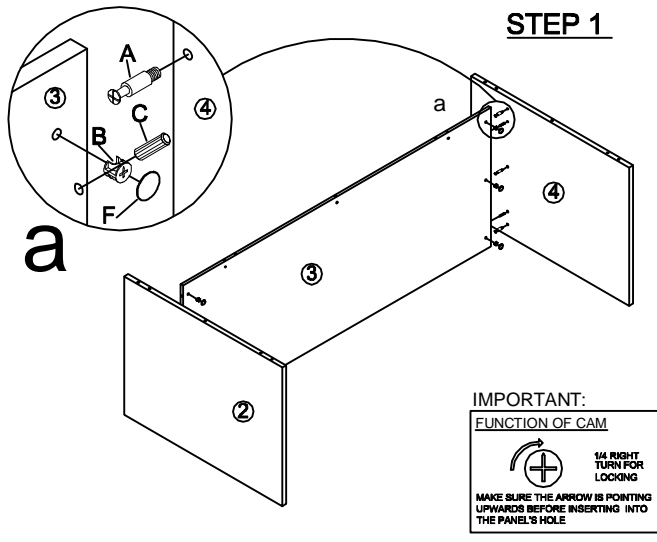
# Assembly Instructions

## MODEL NO.:VF7236DS,VF6630DS

### DESK SHELLS

**V02/10-12**

CONC10	CONC11	DOWEL	GLIDE	TUN015BG	CAM COVER	L-Bracket	TUN013LB
<b>A</b>  Cam Lock Pin 15 Pcs+2 Pcs	<b>B</b>  Cam Lock 15 Pcs+2 Pcs	<b>C</b>  Dowel 10 Pcs+2 Pcs	<b>D</b>  Glide M6*25mm 4 Pcs	<b>E</b>  Grommet 2 Pcs	<b>F</b>  Cam Lock Sticker 15 Pcs+2 Pcs	<b>G</b>  L-Bracket 4 Pcs	<b>H</b>  Screw Ø3.5*16mm 24 Pcs



### IMPORTANT NOTE

- .It is advisable to assemble unit on a carpet to avoid scratch.
- .Check to be sure that you have all parts and hardware.
- .Don't tighten all screws/bolts until all completely assembled
- .It is recommended to require 2 persons to complete the assembling.

### CARE&CLEANING

Wood Veneer Finishes: Following the direction of the grain,wipe with a soft damp cloth, then a soft dry cloth. For heavier soils, try a mild soap solution ( do not use spraypolishes, solvents or products containing ammonia ), thenrepeat the above steps.