









# Assembly Instructions

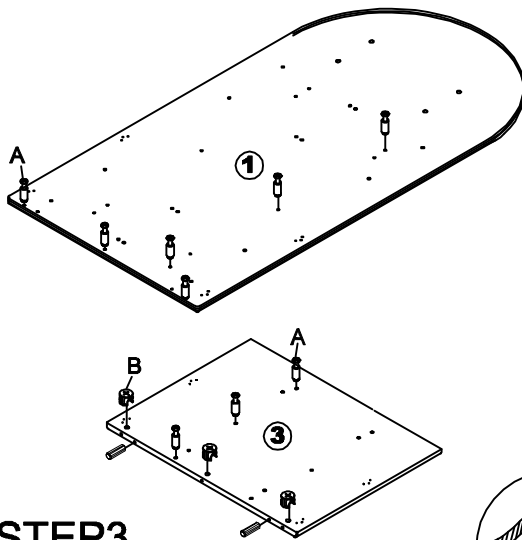
## MODEL NO.:VF7236DI

### Bullet Desk

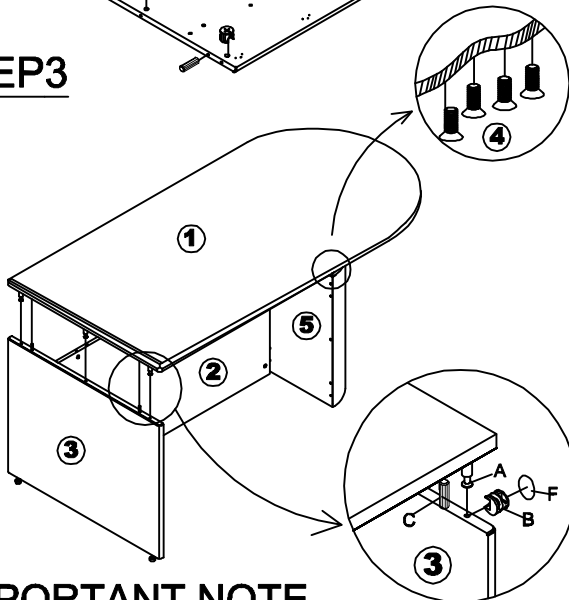
V02/10-12

CONC10	CONC11	DOWEL	GLIDE	TUNO27SC	CAM COVER
<b>A</b>  Cam Lock Pin 12 Pcs+2 Pcs	<b>B</b>  Cam Lock 12 Pcs+2 Pcs	<b>C</b>  Dowel 8 Pcs+2 Pcs	<b>D</b>  Glide M8*25 5 Pcs	<b>E</b>  Screw M6*25mm 8 Pcs+2 Pcs	<b>F</b>  Cam Lock Sticker 22 Pcs+2 Pcs

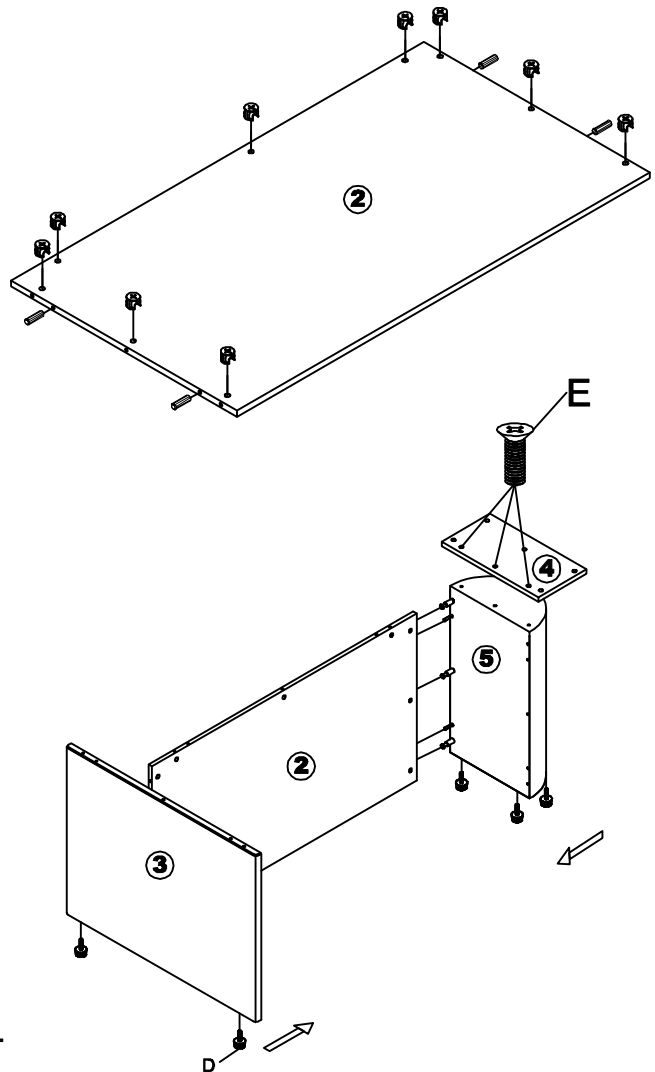
### STEP1



### STEP3



### STEP2



### IMPORTANT NOTE

- .It is advisable to assemble unit on a carpet to avoid scratch.
- .Check to be sure that you have all parts and hardware.
- .Don't tighten all screws/bolts until all completely assembled
- .It is recommended to require 2 persons to complete the assembling.

### CARE & CLEANING

Wood Veneer Finishes:Following the direction of the grain ,wipe with a soft damp cloth ,then a soft dry cloth.For heavier soils,try a mild soap solution(do not use spray polishes,solvents or products containing ammonia),then repeat the above steps.