



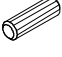







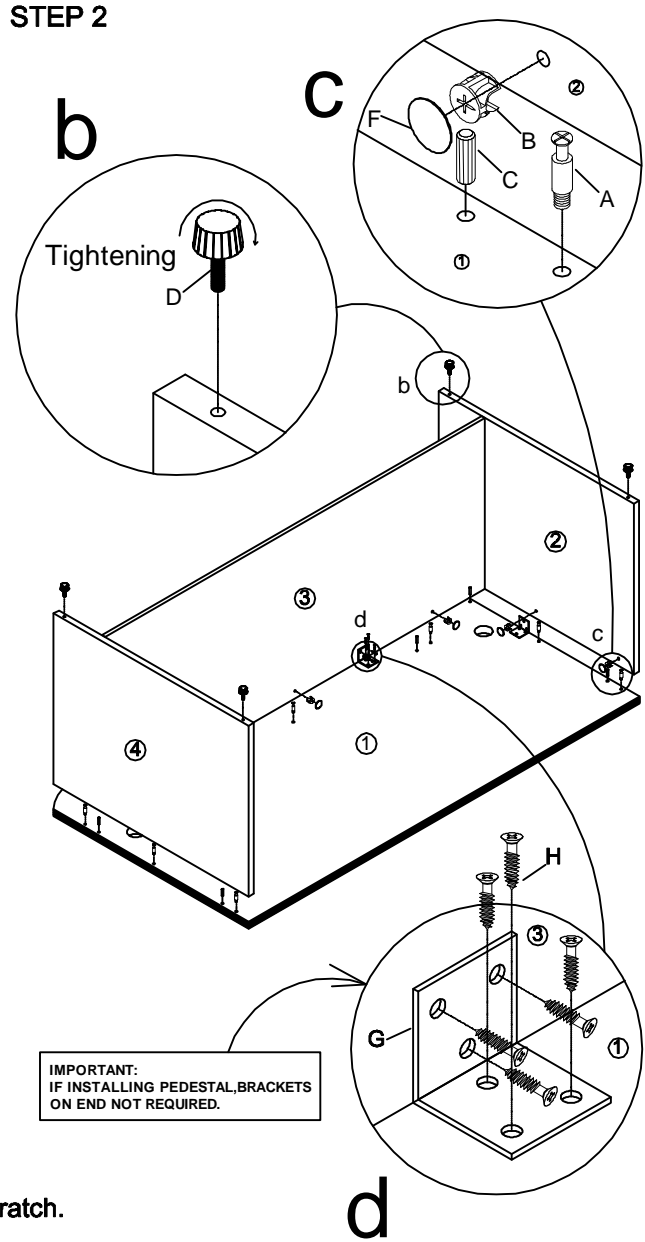
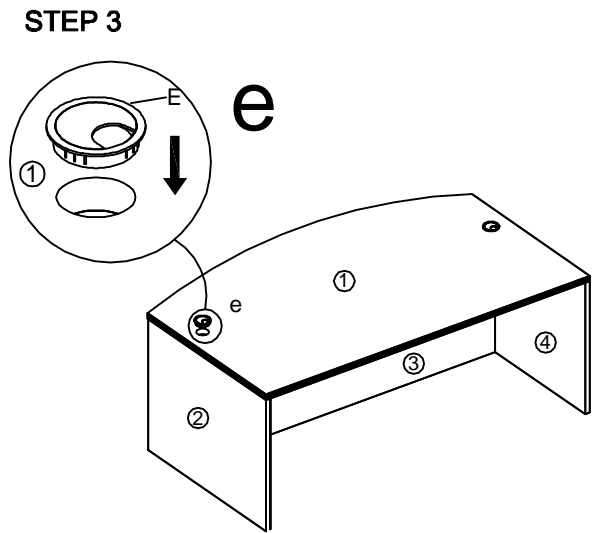
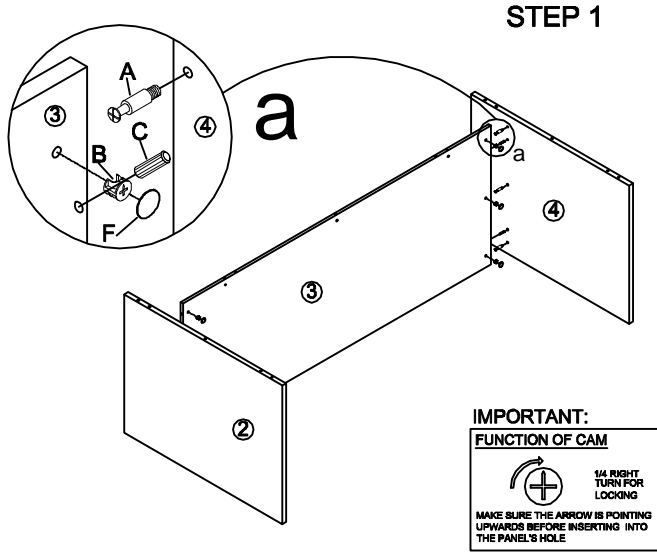
Assembly Instructions

MODEL NO.:VF7240BDS

DESK SHELLS

V02/10-12

CONC10	CONC11	DOWEL	GLIDE	TUN015BG	CAM COVER	L-Bracket	TUN013LB
A  Cam Lock Pin 15 Pcs+2 Pcs	B  Cam Lock 15 Pcs+2 Pcs	C  Dowel 10 Pcs+2 Pcs	D  Glide M8*25 4 Pcs	E  Grommet 2 Pcs	F  Cam Lock Sticker 15 Pcs+2 Pcs	G  L-Bracket 4 Pcs	H  Screw Ø3.5*16 24 Pcs



IMPORTANT NOTE

- .It is advisable to assemble unit on a carpet to avoid scratch.
- .Check to be sure that you have all parts and hardware.
- .Don't tighten all screws/bolts until all completely assembled
- .It is recommended to require 2 persons to complete the assembling.

CARE&CLEANING

Wood Veneer Finishes: Following the direction of the grain,wipe with a soft damp cloth, then a soft dry cloth. For heavier soils, try a mild soap solution (do not use spraypolishes, solvents or products containing ammonia), then repeat the above steps.