







Assembly Instructions

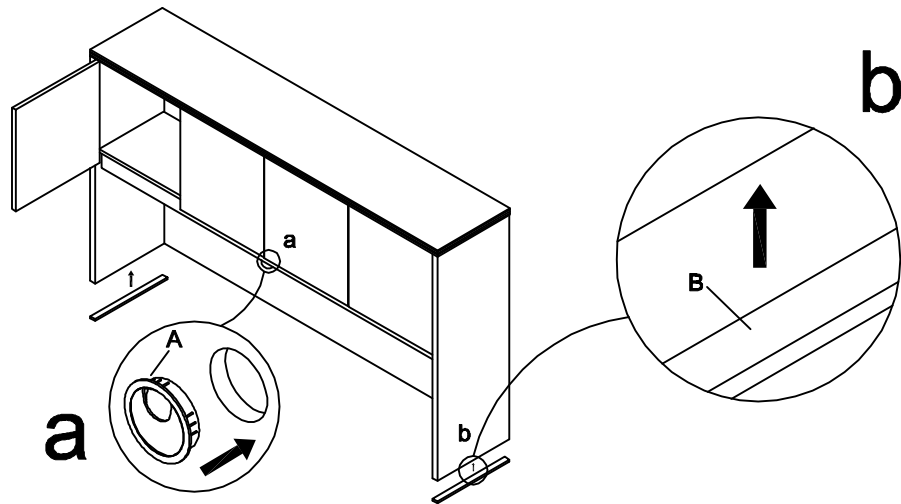
MODEL NO.:VF72HD,VF66HD

CREDENZA HUTCH

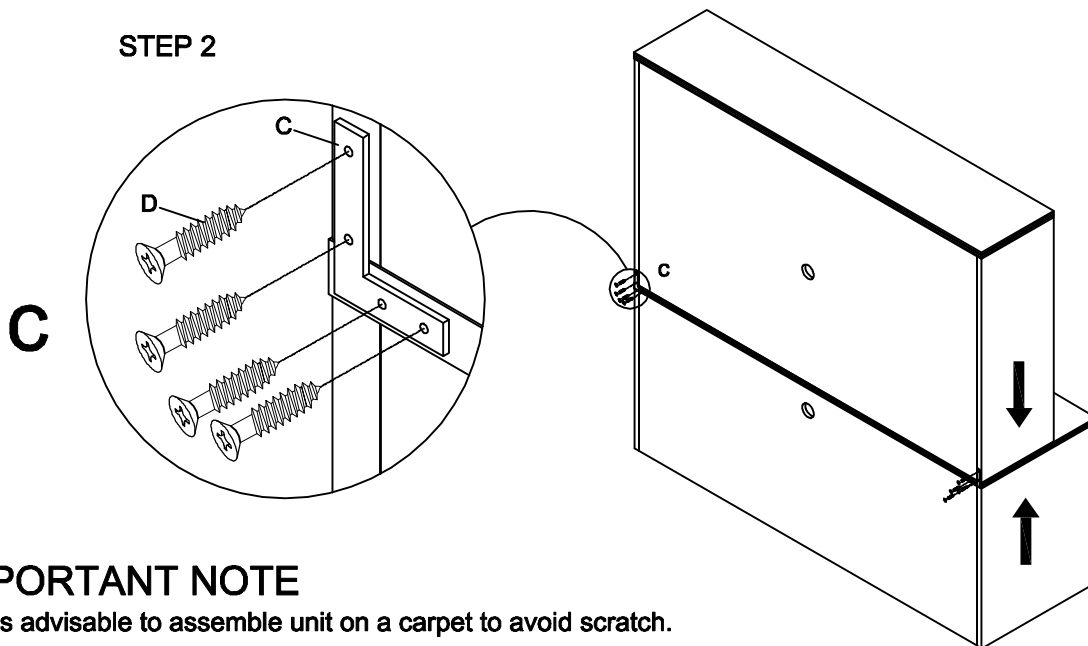
V02/10-12

TUNO15BG	FLANNEL	TUN013LB	TUN013SC
 Grommet 1 Pcs	 Black EVA 2 Pcs	 L-Bracket 2 PCS	 Screw Ø3.5*16MM 10 Pcs+2 Pcs

STEP 1



STEP 2



IMPORTANT NOTE

- .It is advisable to assemble unit on a carpet to avoid scratch.
- .Check to be sure that you have all parts and hardware.
- .Don't tighten all screws/bolts until all completely assembled
- .It is recommended to require 2 persons to complete the assembling.

CARE&CLEANING

Wood Veneer Finishes: Following the direction of the grain,wipe with a soft damp cloth, then a soft dry cloth. For heavier soils, try a mild soap solution (do not use spraypolishes, solvents or products containing ammonia), then repeat the above steps.