



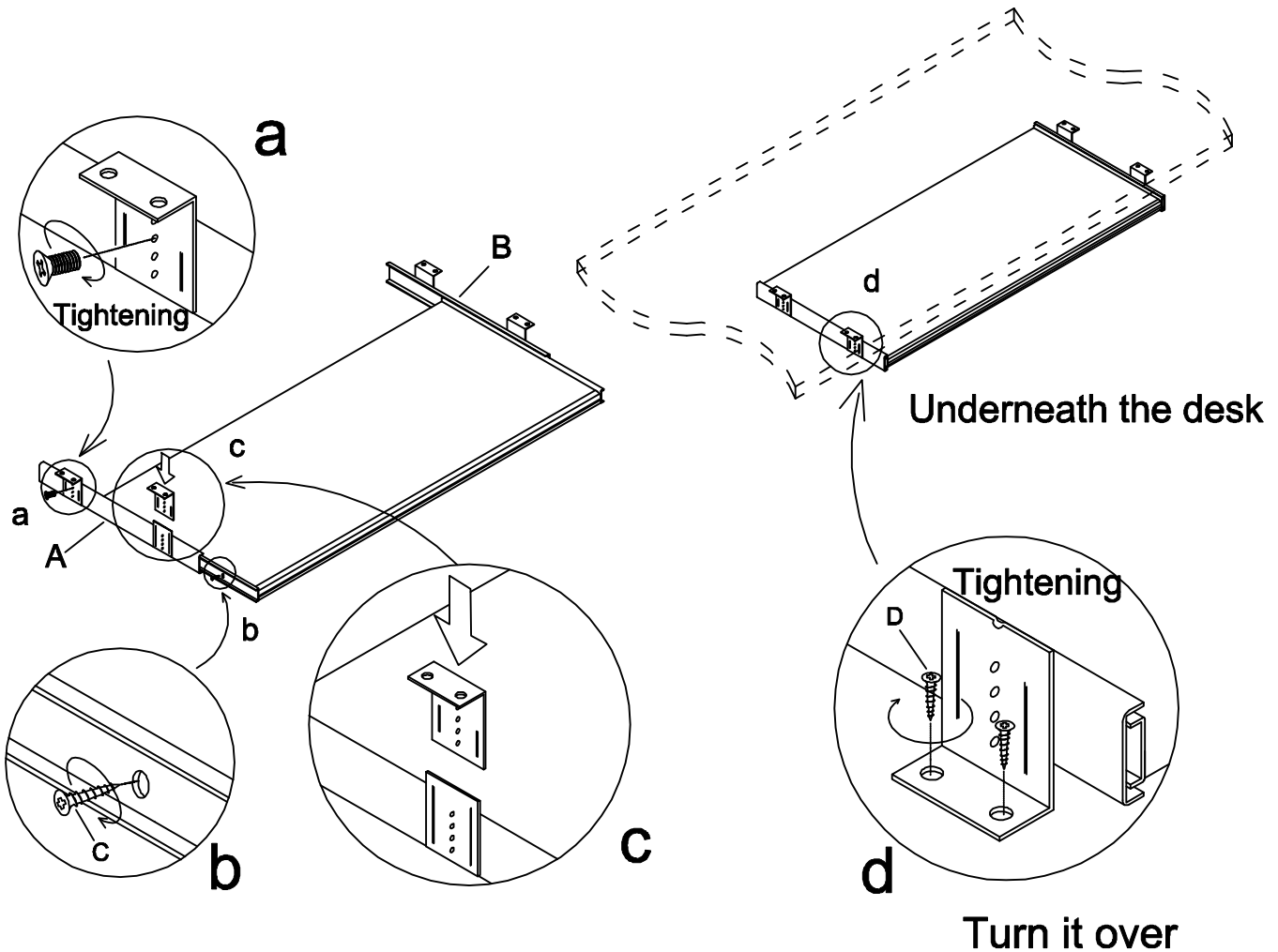
Assembly Instructions
MODEL NO.:VFKB
KEYBOARD TRAY

V02/10-12

CONC10	CONC11	DOWEL	SLIDES
<p>A Left Slide 1 Set</p>	<p>B Right Slide 1 Set</p>	<p>C Screw Ø4*14 8 Pcs+1 Pcs</p>	<p>D Screw Ø4*20 8 Pcs+1 Pcs</p>

STEP1

STEP2



IMPORTANT NOTE

- .It is advisable to assemble unit on a carpet to avoid scratch.
- .Check to be sure that you have all parts and hardware.
- .Don't tighten all screws/bolts until all completely assembled
- .It is recommended to require 2 persons to complete the assembling.

CARE&CLEANING

Wood Veneer Finishes: Following the direction of the grain,wipe with a soft damp cloth, then a soft dry cloth. For heavier soils, try a mild soap solution (do not use spraypolishes, solvents or products containing ammonia), then repeat the above steps.